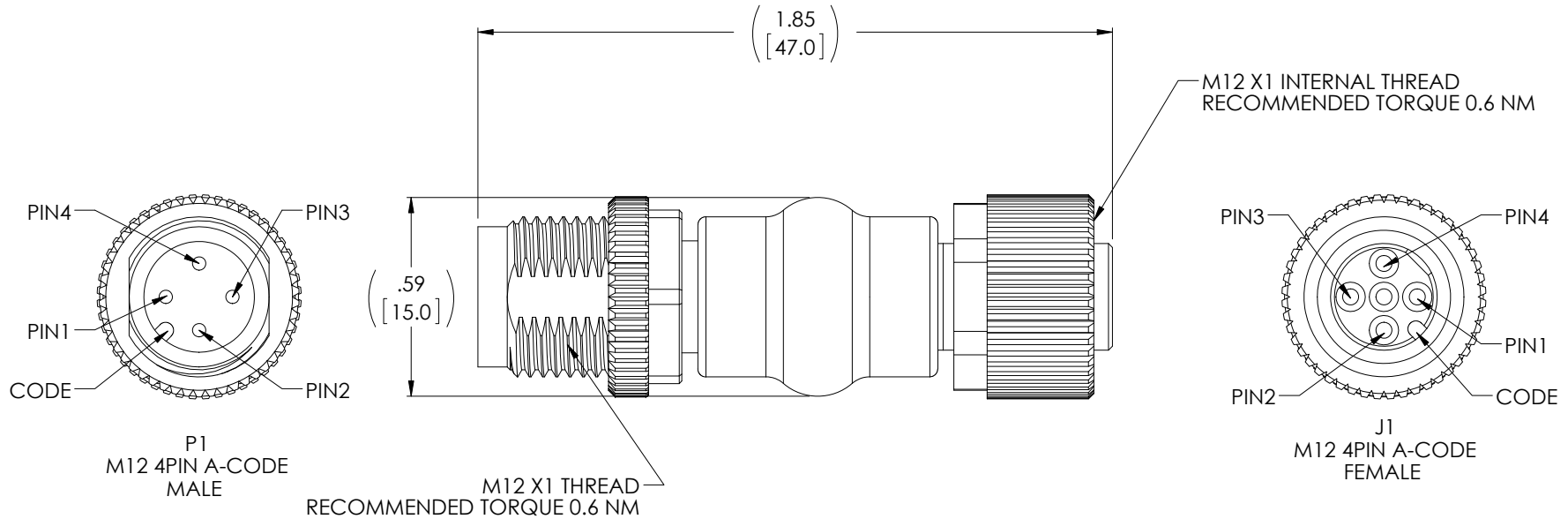
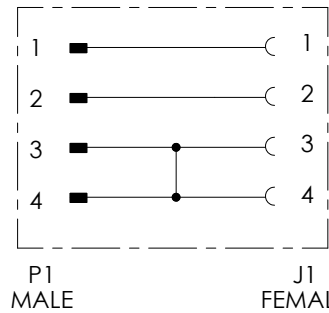


THE INFORMATION CONTAINED IN THIS DRAWING IS THE SOLE PROPERTY OF L-COM, INC. ANY REPRODUCTION IN PART OR WHOLE WITHOUT THE WRITTEN PERMISSION OF L-COM, INC. IS PROHIBITED.

REVISIONS			
REV	DESCRIPTION	DATE	APPROVED
A	INITIAL RELEASE PER DUSTIN GUTTADAURO	04/03/17	J.LABOY



WIRING MAP



NOTES:

MECHANICAL DATA

- HOUSING: M12 MALE TO FEMALE, 4 POLE, A-CODE
- MATERIAL: PUR, ZINC DIE CASTING, MATTE NICKEL PLATED
- PROTECTION: IP66K, IP67(WHEN MATED AND TIGHTENED, EN60529)
- TEMP RANGE: -25°C TO +85°C

MISCELLANEOUS

- NOMINAL VOLTAGE: MAX 24V AC/DC
- RATED CURRENT: MAX 4A PER CONTACT

REGULATORY COMPLIANCE:

CE 2011/65/EU(ROHS DIRECTIVE)

UNLESS OTHERWISE SPECIFIED, DIMENSIONS ARE IN INCHES [mm] OVERALL CABLE LENGTH TOLERANCE: ≤12 [305] = +1 [25] / -0 >12 [305] ≤60 [1524] = +2 [51] / -0 >60 [1524] ≤120 [3048] = +4 [102] / -0 >120 [3048] ≤300 [7620] = +6 [152] / -0 >300 [7620] = +5% / -0%	APPROVALS	DATE		50 HIGH STREET NORTH ANDOVER, MA 01845
	DRAWN BY D.CUI	03/31/17		CATEGORY
ALL OTHER DIMENSIONAL TOLERANCES: .X = ±.2 [5.08] .XX = ±.02 [1.51] .XXX = ±.005 [1.13]	CHECKED BY B.ZHANG	03/31/17	PRODUCT DESCRIPTION	
PROJECTION	APPROVED BY S.PAN	03/31/17	ADAPTOR M12 MALE 4P / M12 FEMALE 4P	
	CONFIGURATION DETAILS OF UNDIMENSIONED FEATURES MAY VARY	COLOR VARIATIONS MAY OCCUR	SIZE A	FSCM NO. 43321
			DWG. NO. ADPT-M124A-MF	REV. A
			SCALE: NONE	CAD FILE: ADPT-M124A-MF.SLDDRW
				SHEET 1 OF 1