

THE INFORMATION CONTAINED IN THIS DRAWING IS THE SOLE PROPERTY OF L-COM, INC. ANY REPRODUCTION IN PART OR WHOLE WITHOUT THE WRITTEN PERMISSION OF L-COM, INC. IS PROHIBITED.

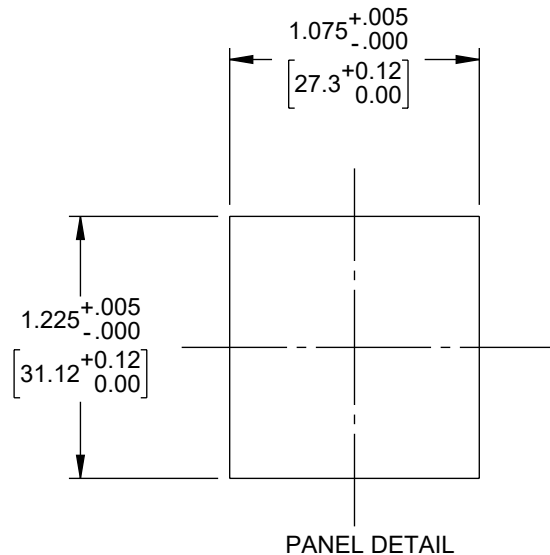
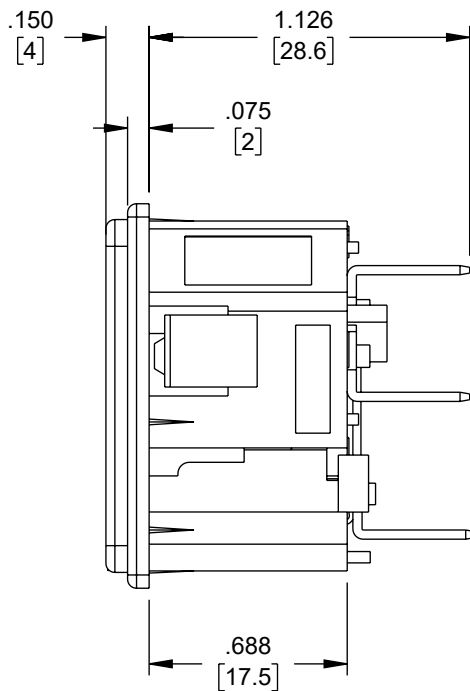
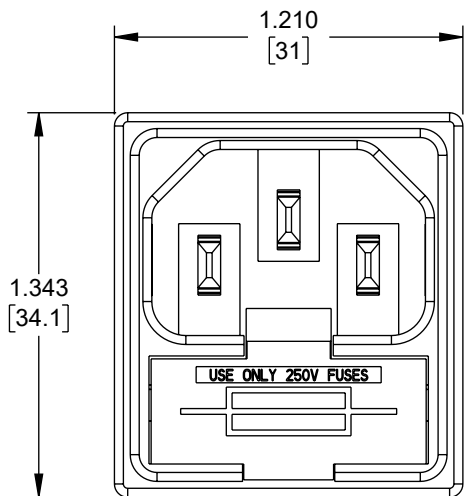
REVISION					
ZONE	REV	DESCRIPTION	DATE	CHANGED BY	APPROVED
	A	INITIAL RELEASE	09/01/2023	PSRINIVAS	DREBECK

D

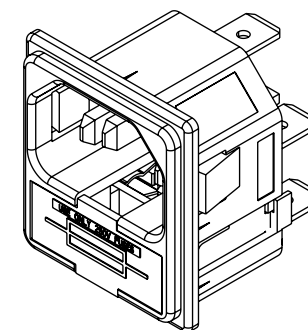
C

B

A




PANEL DETAIL



NOTES:-

- CONNECTOR TYPE: C14
- RATING: 10A, 250VAC
- FEATURES:
SNAPS INTO 1.0 mm PANEL
6.3 mm QUICK-CONNECT TERMINATIONS
SINGLE FUSEHOLDER
- CERTIFICATIONS: UL
- PACKAGING NOTE:
CONNECTOR SHALL BE INDIVIDUALLY
PACKAGED, LABEL PER ILS-100
- ALL DIMENSIONS FOR REFERENCE ONLY

UNLESS OTHERWISE SPECIFIED, DIMENSIONS ARE IN INCHES [mm] OVERALL CABLE LENGTH TOLERANCE: ≤12 [305] = +1 [25] / -0 >12 [305] ≤60 [1524] = +2 [51] / -0 >60 [1524] ≤120 [3048] = +4 [102] / -0 >120 [3048] ≤300 [7620] = +6 [152] / -0 >300 [7620] = +5% / -0 ALL OTHER DIMENSIONAL TOLERANCES: .X = ± .2 [5] FRACTIONS ± 1/32 .XX = ± .02 [5] ANGLES ± 1° .XXX = ± .005 [1.3]	APPROVALS	DATE	 50 High Street, West Mill, North Andover, MA 01845 USA. Phone: 1.800.341.5266 1.978.682.6936	
	DRAWN BY PSRINIVAS	09/01/2023	CATEGORY	
	CHECKED BY DFRISIELLO	09/01/2023	IEC CONNECTORS	
	APPROVED BY DREBECK	09/01/2023	PRODUCT DESCRIPTION	
THIRD-ANGLE PROJECTION	CONFIGURATION DETAILS OF UNDIMENSIONED FEATURES MAY VARY	COLOR VARIATIONS MAY OCCUR	AC PEM C14 1.0mm PANEL SNAP-IN 6.3mm QUICK-CONNECT FUSEHOLDER	SIZE A CAGE CODE 43321 ITEM NO. ACM-C4-N10Q6F-LC REV. A
		SCALE: NONE	CAD FILE: ACM-C4-N10Q6F-LC.SLDDRW	SHEET 1 OF 1