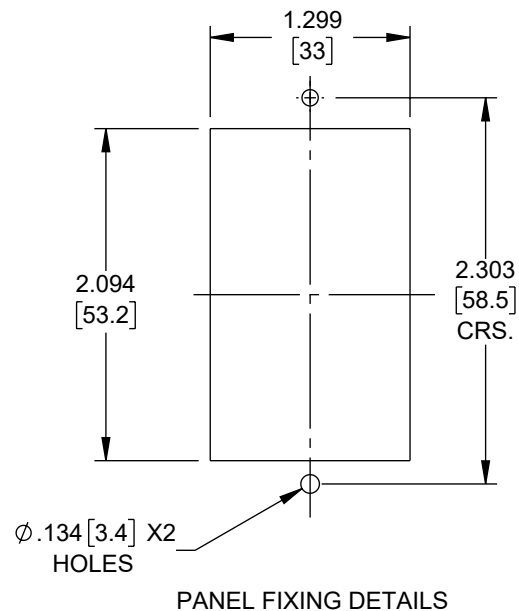
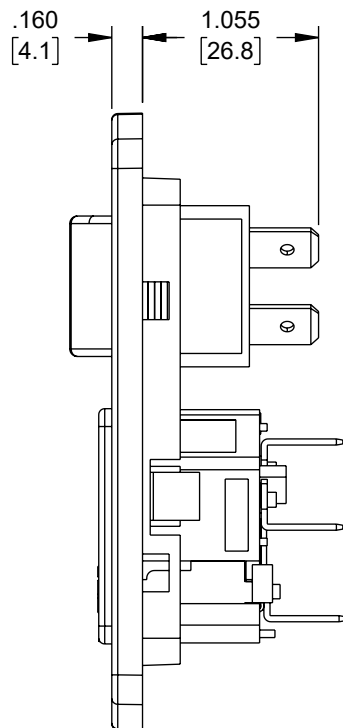
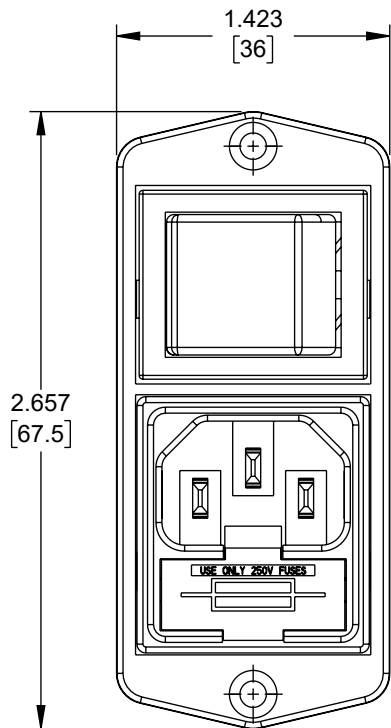



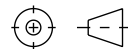
THE INFORMATION CONTAINED IN THIS DRAWING IS THE SOLE PROPERTY OF L-COM, INC. ANY REPRODUCTION IN PART OR WHOLE WITHOUT THE WRITTEN PERMISSION OF L-COM, INC. IS PROHIBITED.

REVISION					
ZONE	REV	DESCRIPTION	DATE	CHANGED BY	APPROVED
	A	INITIAL RELEASE	09/22/2023	PSRINIVAS	DREBECK



NOTES:-

- CONNECTOR TYPE: C14
- RATING: 10A, 250VAC
- FEATURES:
TOP FIXING FLANGE MOUNT 6.3mm QUICK-CONNECT TERMINATIONS
SINGLE CONTACT ON/OFF SWITCH FUSEHOLDER
- PACKAGING NOTE:
CONNECTOR SHALL BE INDIVIDUALLY PACKAGED, LABEL PER ILS-100
- ALL DIMENSIONS FOR REFERENCE ONLY

UNLESS OTHERWISE SPECIFIED, DIMENSIONS ARE IN INCHES [mm] OVERALL CABLE LENGTH TOLERANCE: ≤12 [305] = +1 [25] / -0 >12 [305] ≤60 [1524] = +2 [51] / -0 >60 [1524] ≤120 [3048] = +4 [102] / -0 >120 [3048] ≤300 [7620] = +6 [152] / -0 >300 [7620] = +5% / -0 ALL OTHER DIMENSIONAL TOLERANCES: .X = ± .2 [5] FRACTIONS ± 1/32 .XX = ± .02 [5] ANGLES ± 1° .XXX = ± .005 [1.3]	APPROVALS	DATE	 50 High Street, West Mill, North Andover, MA 01845 USA. Phone: 1.800.341.5266 1.978.682.6936			
	DRAWN BY PSRINIVAS	09/22/2023				
	CHECKED BY DFRISIELLO	09/22/2023	CATEGORY IEC CONNECTORS_PANEL FLANGE			
	APPROVED BY DREBECK	09/22/2023	PRODUCT DESCRIPTION AC PEM C14 PANEL TOP FIXING FLANGE 6.3mm QUICK-CONNECT SINGLE CONTACT ILLUMINATED ON/OFF SWITCH FUSEHOLDER			
THIRD-ANGLE PROJECTION 	CONFIGURATION DETAILS OF UNDIMENSIONED FEATURES MAY VARY	COLOR VARIATIONS MAY OCCUR	SIZE A	CAGE CODE 43321	ITEM NO. ACM-C4-GQ6R1LFT-LC	REV. A
		SCALE: NONE	CAD FILE: ACM-C4-GQ6R1LFT-LC.SLDDRW	SHEET 1 OF 1		