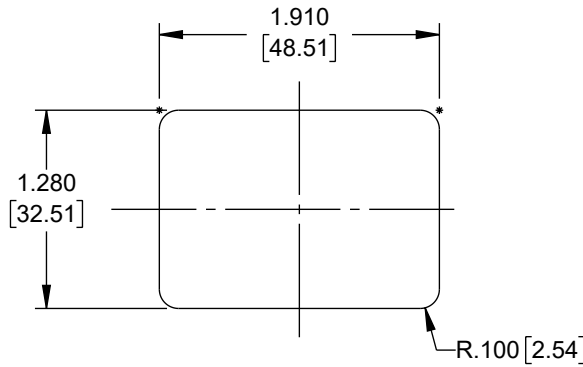
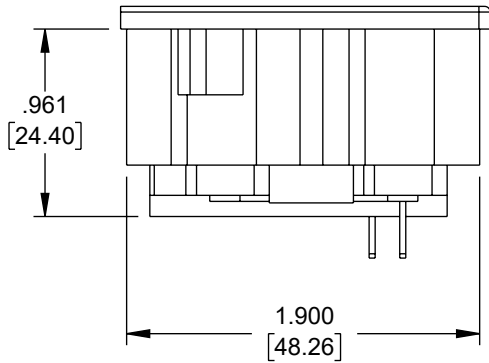
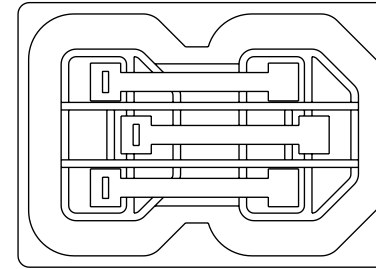
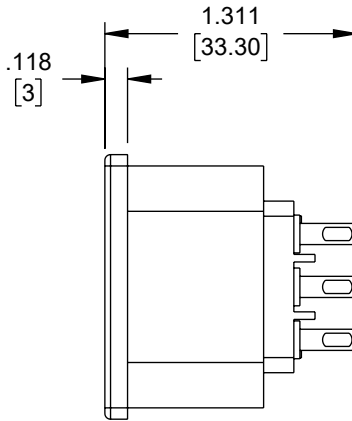
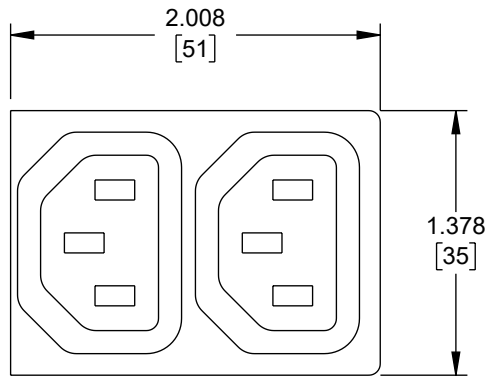
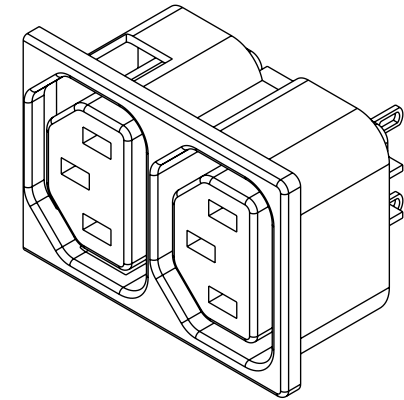


THE INFORMATION CONTAINED IN THIS DRAWING IS THE SOLE PROPERTY OF L-COM, INC. ANY REPRODUCTION IN PART OR WHOLE WITHOUT THE WRITTEN PERMISSION OF L-COM, INC. IS PROHIBITED.

REVISION					
ZONE	REV	DESCRIPTION	DATE	CHANGED BY	APPROVED
	A	INITIAL RELEASE	09/22/2023	PSRINIVAS	DREBECK


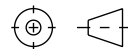


FIXING DETAILS



NOTES:-

- CONNECTOR TYPE: 60320-2-2/F
- RATING: 10A, 250VAC
- FEATURES: 2X OUTLETS SNAP IN PANEL MOUNT SOLDER TAB TERMINATIONS
- PACKAGING NOTE: ITEM SHALL BE INDIVIDUALLY PACKAGED, LABEL PER ILS-100
- ALL DIMENSIONS FOR REFERENCE ONLY

UNLESS OTHERWISE SPECIFIED, DIMENSIONS ARE IN INCHES [mm] OVERALL CABLE LENGTH TOLERANCE: ≤12 [305] = +1 [25] / -0 >12 [305] ≤60 [1524] = +2 [51] / -0 >60 [1524] ≤120 [3048] = +4 [102] / -0 >120 [3048] ≤300 [7620] = +6 [152] / -0 >300 [7620] = +5% / -0 ALL OTHER DIMENSIONAL TOLERANCES: .X = ± .2 [5] FRACTIONS ± 1/32 .XX = ± .02 [5] ANGLES ± 1° .XXX = ± .005 [1.3]	APPROVALS	DATE	 50 High Street, West Mill, North Andover, MA 01845 USA. Phone: 1.800.341.5266 1.978.682.6936			
	DRAWN BY PSRINIVAS	09/22/2023				
THIRD-ANGLE PROJECTION 	CHECKED BY DFRISIELLO	09/22/2023	CATEGORY IEC CONNECTORS_PANEL MSNAP-IN			
	APPROVED BY DREBECK	09/22/2023				
CONFIGURATION DETAILS OF UNDIMENSIONED FEATURES MAY VARY	COLOR VARIATIONS MAY OCCUR	PRODUCT DESCRIPTION AC PEM 2X 320-2-2/F PANEL MOUNT SNAP-IN SOLDER TERMINALS	SIZE A	CAGE CODE 43321	ITEM NO. ACM-22F-NS-LC	REV. A
SCALE: NONE		CAD FILE: ACM-22F-NS-LC.SLDDRW		SHEET 1 OF 1		