

6

5

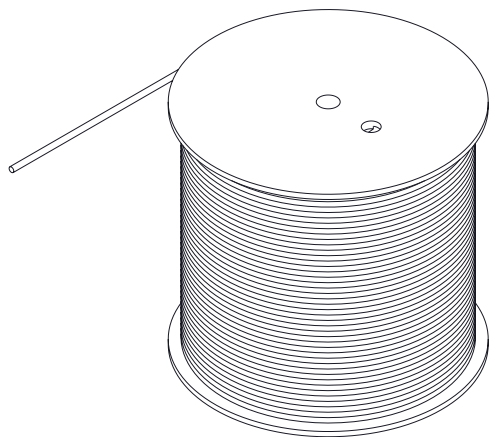
4

3

2

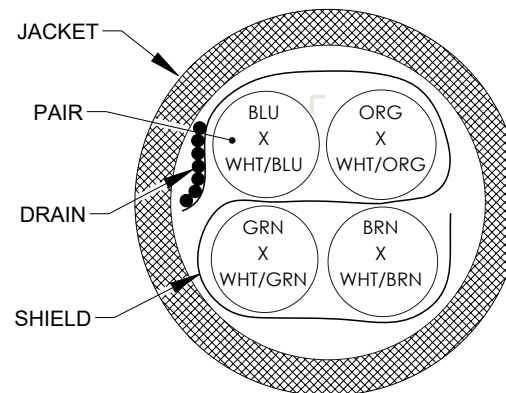
1

85-660-421 CONSISTS OF 1000 FEET OF CONTINUOUS LENGTH OF BULK CABLE



REVISION					
ZONE	REV	DESCRIPTION	DATE	CHANGED BY	APPROVED
	A	INITIAL RELEASE	12/13/2023	DFRISIELLO	GUTTADAURO

CROSS-SECTIONAL VIEW



**COLOR CODE**  
 BLUE x WHITE/BLUE  
 ORANGE x WHITE/ORANGE  
 GREEN x WHITE/GREEN  
 BROWN x WHITE/BROWN

NOTES:

1. CONSTRUCTION:

CONDUCTOR: 26 AWG 7/34 STRANDED TINNED COPPER  
 INSULATION: HIGH DENSITY POLYETHYLENE, .011" NOM. WALL THICKNESS  
 PAIRS: COLOR CODED SINGLES TWISTED INTO PAIRS  
 CABLE: (4) TWISTED PAIRS TWISTED TOGETHER  
 SHIELD: AN ALUMINIZED POLYESTER FOIL SHIELD (100% COVERAGE) WITH 7 ENDS OF 34AWG TINNED COPPER DRAIN WIRE IN CONTACT WITH METALIZED SURFACE SHALL BE APPLIED OVER THE CABLE CORE  
 JACKET: LOW SMOKE ZERO HALOGEN, COLOR: SEE CHART 1, .023" NOM. WALL THICKNESS

NOM. DIA.  
 .019"  
 .0405" ± .001"  
 .081"  
 .177"  
 .180"  
 .235" NOM.  
 .240" MAX.  
 (BY PI TAPE)

2. PHYSICAL PROPERTIES:

TEMPERATURE RATING, MAX: +75 °C  
 TEMPERATURE RATING, MIN: -20 °C  
 WT./M', NOM.,NET.: 23.4 LBS.

3. ELECTRICAL CHARACTERISTICS: SEE SHEET 2

4. AGENCY APPROVALS:

NEC (UL) TYPE CM-ST1  
 CEC C(UL) TYPE CM

5. APPLICATION:

SHIELDED FLEXIBLE PATCH/JUMPER CABLE TO SUPPORT SCREENED 568.2-D CATEGORY 6a APPLICATIONS.  
 RoHS COMPLIANT MATERIALS

6. JACKET PRINT(WHITE INK ON BLACK JACKET, ALL OTHERS BLACK INK):

QUABBIN DATAMAX LSZH 6a F/UTP PATCH CORD P/N (QWC P/N PER CHART 1)-- PATENT NO. US 9,355,759 B2 -- CM C (UL)US CM-ST1 26 AWG 75C -- RoHS -- (LOT DESIGNATOR)(SEQUENTIAL FOOTAGE)

7. PACKAGING:

CABLE SHIPPED ON A REEL

PART NUMBER	JACKET COLOR
85-660-421-BK	BLACK
85-660-421-BL	BLUE
85-660-421-GY	GRAY
85-660-421-RD	RED

UNLESS OTHERWISE SPECIFIED LEADING DIMENSIONS ARE INCHES DIMENSIONS IN [ ] ARE MILLIMETERS

TOLERANCES:  
 .X = ±.2 [5]      FRACTIONS ± 1/32  
 .XX = ±.02 [0.5]      ANGLES ± 1°  
 .XXX = ±.005 [0.13]

CABLE LENGTH TOLERANCES:  
 ≤12 [305] = +1 [25] / -0  
 >12 [305] ≤ 60 [1524] = +2 [51] / -0  
 >60 [1524] ≤ 120 [3048] = +4 [102] / -0  
 >120 [3048] ≤ 300 [7620] = +6 [152] / -0  
 >300 [7620] = +5% / -0

ALL DIMENSIONS ARE FOR REFERENCE ONLY AND SUBJECT TO CHANGE WITHOUT NOTICE. UN-DIMENSIONED/NON-CRITICAL FEATURES MAY VARY IN SIZE AND LOCATION. COLORS MAY VARY

**Show Me**  
CABLES  
an INFINIT® brand

Website: [www.ShowMeCables.com](http://www.ShowMeCables.com)  
 Phone: 1.888.519.9505

INTERPRET ALL DIMENSIONS AND TOLERANCES PER ASME Y14.5

SCALE	SHEET
NONE	1 OF 2

DESCRIPTION				
C6a F/UTP LSZH CM 26AWG 1KFT				
SIZE	CAGE CODE	DRAWN BY	ITEM NO.	REV
A	3SVT8	DFRISIELLO	85-660-421	A

6

5

4

3

2

1

## 3. ELECTRICAL CHARACTERISTICS:

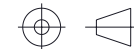
CAPACITANCE, MUTUAL, NOM.	13.5PF/FT AT 1MHz
DIELECTRIC WITHSTANDING, MIN.	1500V RMS
VOLTAGE RATING, MAX.	300V
D.C. RESISTANCE, MAX.	14 OHM/100m(42.6 OHM/1000 FT)

NOTE: TESTING FOR THE FOLLOWING IS CONDUCTED OFF THE REEL (FOR 100m CABLE)

IMPEDANCE, NOM.	100 ± 15 OHM 1-100 MHz	
	100 ± 20 OHM 100-500 MHz	
RETURN LOSS	1 ≤ f < 10 MHz	20 + 5 LOG(f) dB MIN
	10 ≤ f < 20 MHz	25 dB MIN
	20 ≤ f ≤ 500 MHz	25 - 8.6 LOG(f/20) dB MIN
PS NEXT	1 ≤ f ≤ 500 MHz	42.3- 15 LOG(f/100) dB MIN
NEXT	1 ≤ f ≤ 500 MHz	44.3 - 15 LOG(f/100) dB MIN
PS ACRF	1 ≤ f ≤ 500 MHz	24.8 - 20 LOG(f/100) dB MIN
ACRF	1 ≤ f ≤ 500 MHz	27.8 - 20 LOG(f/100) dB MIN
INSERTION LOSS	1 ≤ f ≤ 500 MHz	1.5[1.82SqRt(f) + 0.0091(f) + 0.25/SqRt(f)] dB MAX
DELAY	1 ≤ f ≤ 500 MHz	534 + 36/SqRt(f) ns MAX
DELAY SKEW	1 ≤ f ≤ 500 MHz	< 45 ns
PS ANEXT LOSS (6 AROUND 1)	1 ≤ f ≤ 500 MHz	62.5 - 15 LOG(f/100) dB 50-500MHz 67 dB 1-50MHz
PS AFEXT (6 AROUND 1)	1 ≤ f ≤ 500 MHz	38.2 - 20 LOG(f/100) dB, 67 dB MIN
TCL	1 ≤ f ≤ 500 MHz	30 - 10 LOG(f/100) dB MIN, 40 dB MIN
ELTCTL	1 ≤ f ≤ 30 MHz	35 - 20 LOG(f) dB MIN
VELOCITY OF PROPAGATION	68%	

**Show Me**  
**CABLES**

an INFINIT® brand

Website: www.ShowMeCables.com  
Phone: 1.888.519.9505INTERPRET ALL DIMENSIONS AND  
TOLERANCES PER ASME Y14.5

SCALE

NONE

SHEET

2 OF 2

DESCRIPTION

C6a F/UTP LSZH CM 26AWG 1KFT

THE INFORMATION CONTAINED IN THIS DRAWING IS THE SOLE PROPERTY OF INFINITE ELECTRONICS, INC. ANY REPRODUCTION IN PART OR WHOLE WITHOUT THE WRITTEN PERMISSION OF INFINITE ELECTRONICS, INC. IS PROHIBITED. THESE COMMODITIES, TECHNOLOGY OR SOFTWARE WERE EXPORTED FROM THE UNITED STATES IN ACCORDANCE WITH THE EXPORT ADMINISTRATION REGULATIONS. DIVERSION CONTRARY TO U.S. LAW PROHIBITED.

ALL DIMENSIONS ARE FOR REFERENCE ONLY  
AND SUBJECT TO CHANGE WITHOUT NOTICE.  
UN-DIMENSIONED/NON-CRITICAL FEATURES  
MAY VARY IN SIZE AND LOCATION  
COLORS MAY VARY

SIZE	CAGE CODE	DRAWN BY	ITEM NO.	REV
A	3SVT8	DFRISIELLO	85-660-421	A