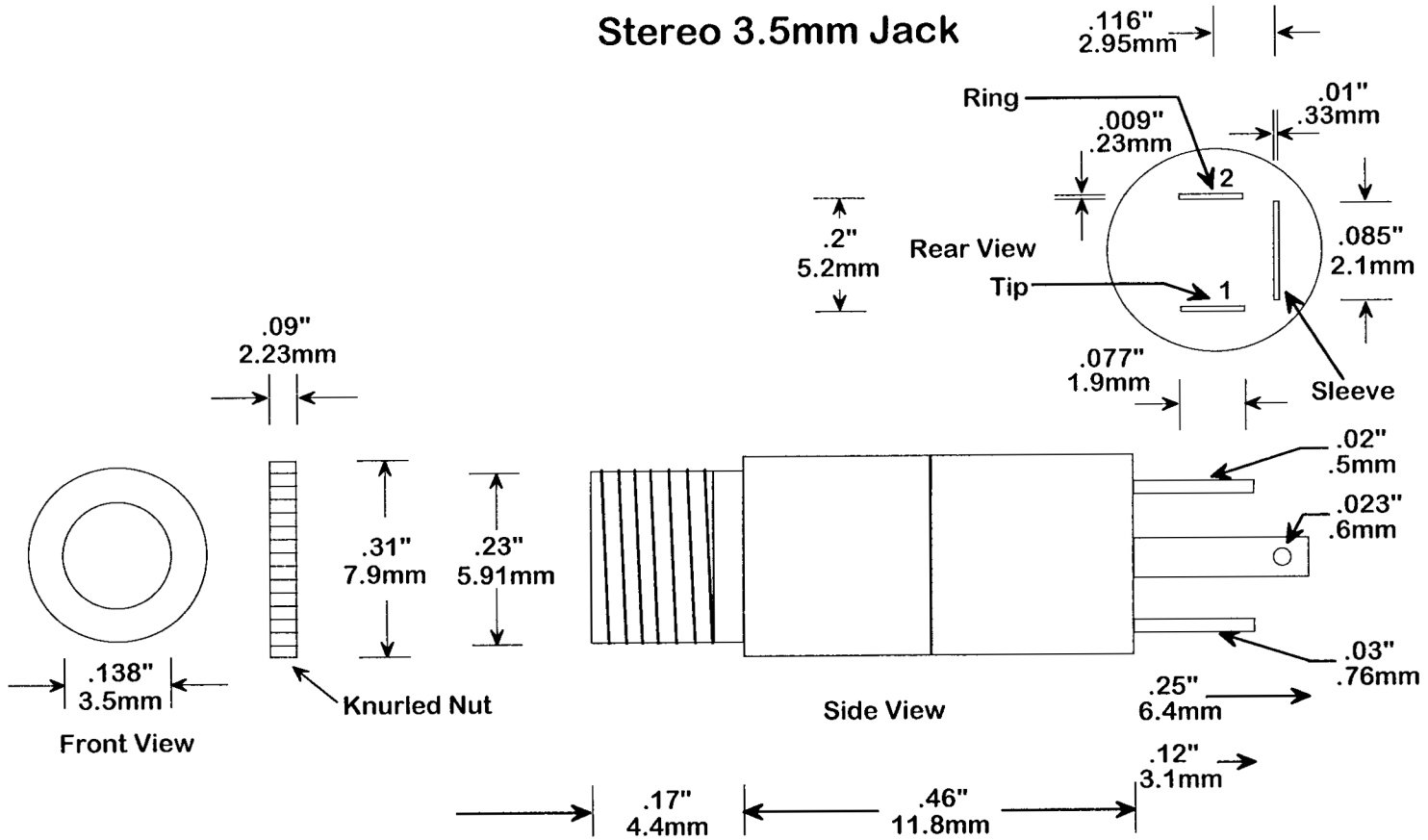


Stereo 3.5mm Jack



Notes:

Electrical Specifications
 Rated: DC 12V, 1A
 Contact Resistance: Less 30 Milli Ohms
 Insulation Resistance: More than 100M Ohms
 Withstand Voltage: AC 500V, 1 Minute



Title:		
Drawn By: Wes Black		
Size A	Document Number	Rev A
Date: 8/24/01 Fri		