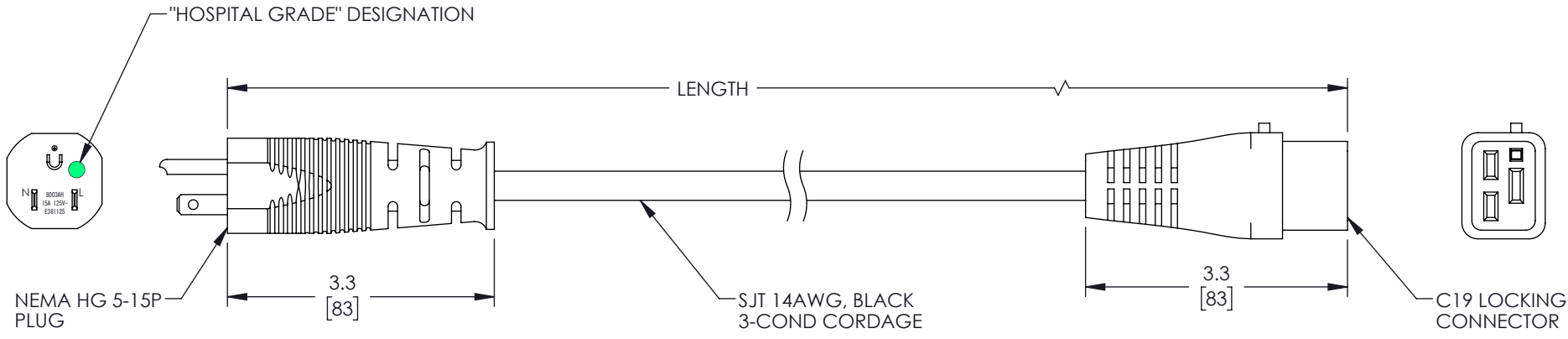
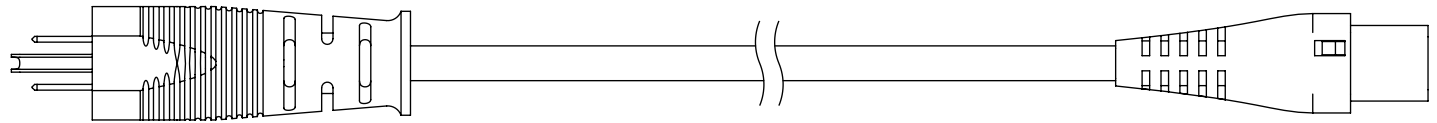


8 7 6 5 4 3 2 1

THE INFORMATION CONTAINED IN THIS DRAWING IS THE SOLE PROPERTY OF SHOW ME CABLES, INC. ANY REPRODUCTION IN PART OR WHOLE WITHOUT THE WRITTEN PERMISSION OF SHOW ME CABLES, INC. IS PROHIBITED.

REVISIONS			
REV	DESCRIPTION	DATE	APPROVED
A	INITIAL RELEASE	07/20/2022	GUTTADAURO



TABULATION BLOCK	
ITEM NO.	LENGTH ±.6 [15]
44-477-003	36.0 [914]
44-477-006	72.0 [1829]

NOTES:

1. PLUG: HOSPITAL GRADE NEMA 5-15P, BLACK
2. CONNECTOR: EN60320 C19 LOCKING, BLACK
3. CORDAGE: SJT3X14AWG, BLACK
COLOR CODING OF CONDUCTORS: BLACK, WHITE, GREEN
APPROVALS: UL/CSA
RATING: 15A/125V
4. OPTIONAL LABELS MAY INCLUDE UL, CURRENT AND/OR WARNING.
5. CABLE ASSEMBLIES SHALL BE INDIVIDUALLY PACKAGED.

UNLESS OTHERWISE SPECIFIED, DIMENSIONS ARE IN INCHES [mm] OVERALL CABLE LENGTH TOLERANCE: ≤12 [305] = +1 [25] / -0 >12 [305] ≤60 [1524] = +2 [51] / -0 >60 [1524] ≤120 [3048] = +4 [102] / -0 >120 [3048] ≤300 [7620] = +6 [152] / -0 >300 [7620] = +5% / -0 ALL OTHER DIMENSIONAL TOLERANCES: .X = ±.2 [5] FRACTIONS ± 1/32 .XX = ±.02 [.5] ANGLES ± 1° .XXX = ±.005 [.13]	APPROVALS DRAWN BY AKRESOWSK CHECKED BY DGUST APPROVED BY GUTTADAURO	DATE 07/20/2022 07/20/2022 07/20/2022	115 Chesterfield Industrial Blvd., Chesterfield, MO 63005 Phone: 1.888.519.9505 Fax: 1.888.519.9515 an INFINIT® brand		
	THIRD-ANGLE PROJECTION 	CONFIGURATION DETAILS OF UNDIMENSIONED FEATURES MAY VARY COLOR VARIATIONS MAY OCCUR		CATEGORY POWER PRODUCTS PRODUCT DESCRIPTION IEC LOCK C19 TO HG NEMA 5-15P, 15A, 125V	
		SIZE A	CAGE CODE 3SVT8	ITEM NO. 44-477	REV. A
		SCALE: NONE	CAD FILE: 44-477.SLDDRW	SHEET 1 OF 1	