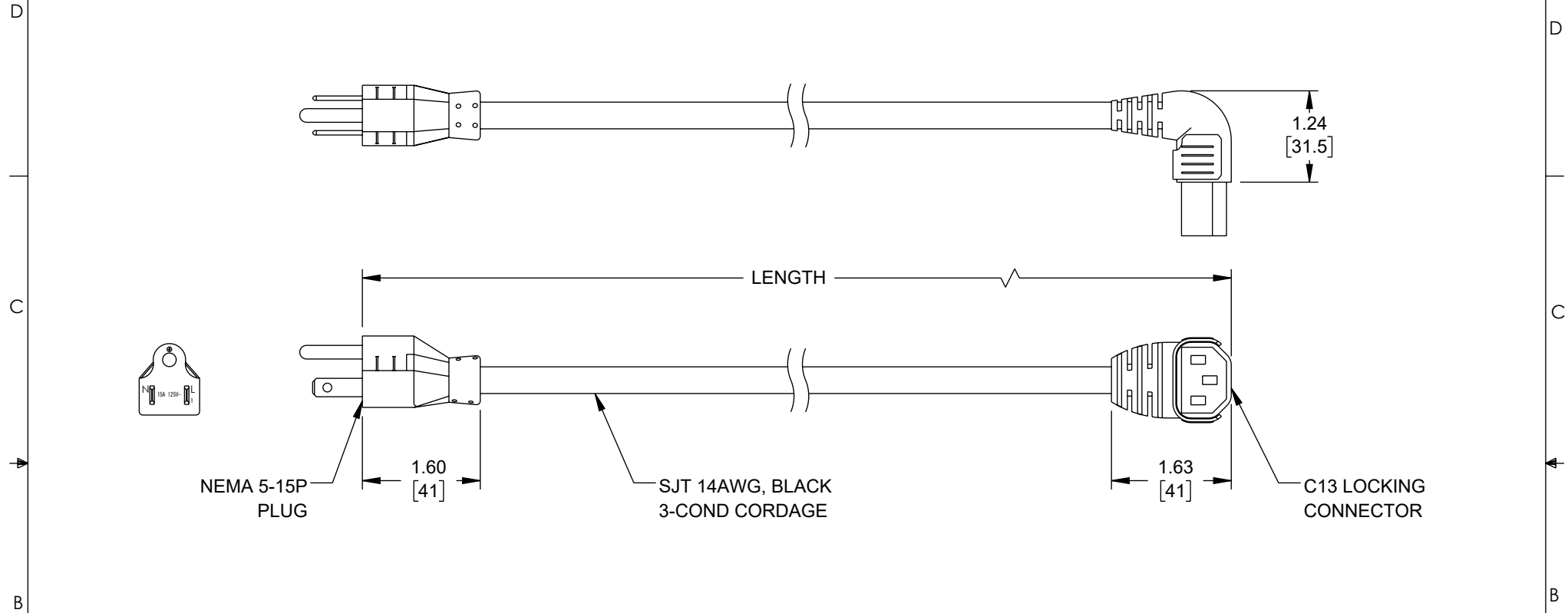


THE INFORMATION CONTAINED IN THIS DRAWING IS THE SOLE PROPERTY OF SHOW ME CABLES, INC. ANY REPRODUCTION IN PART OR WHOLE WITHOUT THE WRITTEN PERMISSION OF SHOW ME CABLES, INC. IS PROHIBITED.


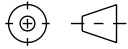
REVISION					
ZONE	REV	DESCRIPTION	DATE	CHANGED BY	APPROVED
	B	ECO-12900	10/05/2023	SREITER	DGUST



TABULATION BLOCK	
ITEM NO.	LENGTH ±.6 [15]
44-473-003	36.0 [914]
44-473-006	72.0 [1829]
44-473-010	120.0 [3048]

NOTES:

1. PLUG: NEMA 5-15P, BLACK
2. CONNECTOR: C13 LOCK PLUS, DOWN-ANGLED, BLACK
3. CORDAGE: SJT3X14AWG, BLACK
4. FOR REFERENCE ONLY:
 - A. COLOR CODING OF CONDUCTORS: BLACK, WHITE, GREEN
 - B. APPROVALS: UL/CSA
 - C. RATING: 15A/125V
5. OPTIONAL LABELS MAY INCLUDE UL, CURRENT AND/OR WARNING.
6. CABLE ASSEMBLIES SHALL BE INDIVIDUALLY PACKAGED.

UNLESS OTHERWISE SPECIFIED, DIMENSIONS ARE IN INCHES [mm] OVERALL CABLE LENGTH TOLERANCE: ≤12 [305] = +1 [25] / -0 >12 [305] ≤60 [1524] = +2 [51] / -0 >60 [1524] ≤120 [3048] = +4 [102] / -0 >120 [3048] ≤300 [7620] = +6 [152] / -0 >300 [7620] = +5% / -0 ALL OTHER DIMENSIONAL TOLERANCES: .X = ±.2 [5] FRACTIONS ± 1/32 .XX = ±.02 [.5] ANGLES ± 1° .XXX = ±.005 [.13]	APPROVALS	DATE	 115 Chesterfield Industrial Blvd., Chesterfield, MO 63005 Phone: 1.888.519.9505 Fax: 1.888.519.9515
	DRAWN BY SREITER	05/12/2023	
APPROVED BY GUITADAURO	05/12/2023	CATEGORY POWER PRODUCTS	
THIRD-ANGLE PROJECTION 	CONFIGURATION DETAILS OF UNDIMENSIONED FEATURES MAY VARY	PRODUCT DESCRIPTION IEC LOCK C13+ DOWN ANGLED TO NEMA 5-15P, 15A, 125V	
COLOR VARIATIONS MAY OCCUR	SIZE A	CAGE CODE 3SVT8	ITEM NO. 44-473-XXX
SCALE: NONE		CAD FILE: 44-473-010.SLDDRW	
			REV. B
			SHEET 1 OF 1