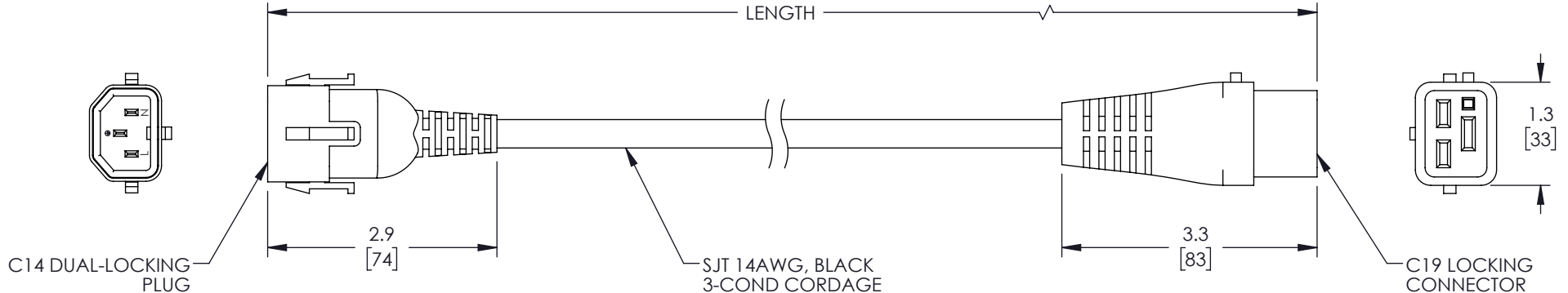
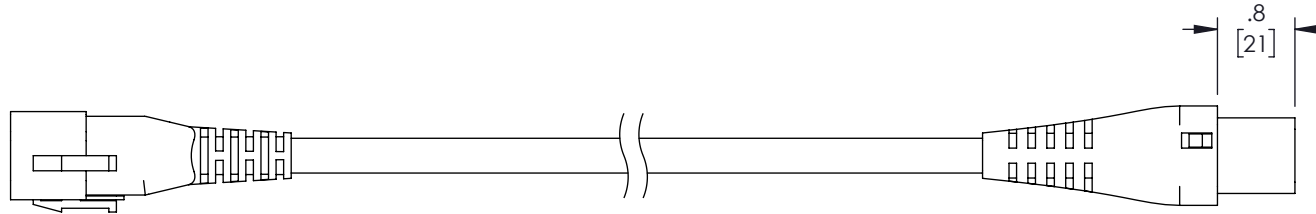


THE INFORMATION CONTAINED IN THIS DRAWING IS THE SOLE PROPERTY OF SHOW ME CABLES, INC. ANY REPRODUCTION IN PART OR WHOLE WITHOUT THE WRITTEN PERMISSION OF SHOW ME CABLES, INC. IS PROHIBITED.


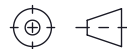
REVISIONS			
REV	DESCRIPTION	DATE	APPROVED
A	INITIAL RELEASE	09/06/22	GUTTADAURO



TABULATION BLOCK	
ITEM NO.	LENGTH ±.6 [15]
44-468-003	36.0 [914]
44-468-006	72.0 [1829]

NOTES:

1. PLUG: EN60320 C14 DUAL-LOCKING, BLACK
2. CONNECTOR: EN60320 C19 LOCKING, BLACK
3. CORDAGE: SJT3X14AWG, BLACK
COLOR CODING OF CONDUCTORS: BLACK, WHITE, GREEN
APPROVALS: UL/CSA
RATING: 15A/250V
4. OPTIONAL LABELS MAY INCLUDE UL, CURRENT AND/OR WARNING.
5. CABLE ASSEMBLIES SHALL BE INDIVIDUALLY PACKAGED.

UNLESS OTHERWISE SPECIFIED, DIMENSIONS ARE IN INCHES [mm] OVERALL CABLE LENGTH TOLERANCE: ≤12 [305] = +1 [25] / -0 >12 [305] ≤60 [1524] = +2 [51] / -0 >60 [1524] ≤120 [3048] = +4 [102] / -0 >120 [3048] ≤300 [7620] = +6 [152] / -0 >300 [7620] = +5% / -0 ALL OTHER DIMENSIONAL TOLERANCES: .X = ±.2 [5] FRACTIONS ± 1/32 .XX = ±.02 [5] ANGLES ± 1° .XXX = ±.005 [1.3]	APPROVALS DRAWN BY VTHANGARAJ CHECKED BY DGUST APPROVED BY GUTTADAURO	DATE 09/06/22 09/06/22 09/06/22	 115 Chesterfield Industrial Blvd., Chesterfield, MO 63005 Phone: 1.888.519.9505 Fax: 1.888.519.9515		
	CONFIGURATION DETAILS OF UNDIMENSIONED FEATURES MAY VARY	CATEGORY POWER PRODUCTS		PRODUCT DESCRIPTION IEC LOCK C19 TO DUAL LOCKING C14, 15A, 250V	
THIRD-ANGLE PROJECTION 	COLOR VARIATIONS MAY OCCUR	SIZE A	CAGE CODE 3SVT8	ITEM NO. 44-468	REV. A
SCALE: NONE		CAD FILE: 44-468.SLDDRW		SHEET 1 OF 1	