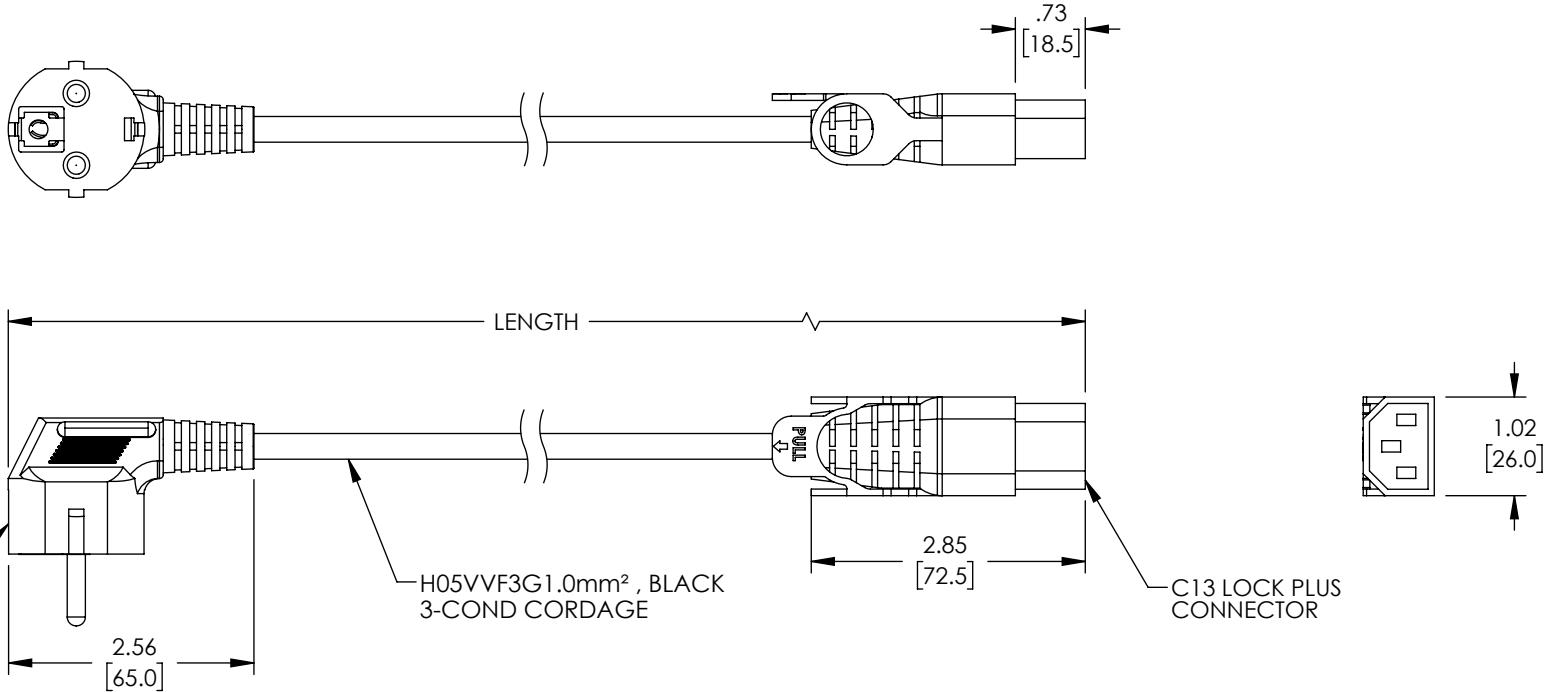


THE INFORMATION CONTAINED IN THIS DRAWING IS THE SOLE PROPERTY OF SHOW ME CABLES, INC. ANY REPRODUCTION IN PART OR WHOLE WITHOUT THE WRITTEN PERMISSION OF SHOW ME CABLES, INC. IS PROHIBITED.

REVISIONS			
REV	DESCRIPTION	DATE	APPROVED
A	INITIAL RELEASE	09/05/22	GUTTADAURO



TABULATION BLOCK	
ITEM NO.	LENGTH ±.6 [15]
44-460-01M	39.4 [1000]
44-460-02M	78.7 [2000]

NOTES:

1. PLUG: TYPE CEE7/VII (RIGHT-ANGLED), BLACK
2. CONNECTOR: EN60320 C13 LOCK PLUS, BLACK
3. CORDAGE: H05VVF3G1.0mm<sup>2</sup>, BLACK  
COLOR CODING OF CONDUCTORS: BLUE, BROWN, GREEN/YELLOW  
APPROVALS: VDE, ENEC  
RATING: 10A/250V
4. OPTIONAL LABELS MAY INCLUDE UL, CURRENT AND/OR WARNING.
5. CABLE ASSEMBLIES SHALL BE INDIVIDUALLY PACKAGED.

UNLESS OTHERWISE SPECIFIED, DIMENSIONS ARE IN INCHES [mm] OVERALL CABLE LENGTH TOLERANCE: ≤12 [305] = +1 [25] / -0 >12 [305] ≤60 [1524] = +2 [51] / -0 >60 [1524] ≤120 [3048] = +4 [102] / -0 >120 [3048] ≤300 [7620] = +6 [152] / -0 >300 [7620] = +5% / -0 ALL OTHER DIMENSIONAL TOLERANCES: .X = ±.2 [5]      FRACTIONS ± 1/32 .XX = ±.02 [.5]      ANGLES ± 1° .XXX = ±.005 [.13]	APPROVALS DRAWN BY VTHANGARAJ CHECKED BY DGUST APPROVED BY GUTTADAURO	DATE 09/05/22 09/05/22 09/05/22	115 Chesterfield Industrial Blvd., Chesterfield, MO 63005 Phone: 1.888.519.9505 Fax: 1.888.519.9515 CATEGORY <b>POWER PRODUCTS</b>		
	THIRD-ANGLE PROJECTION 	CONFIGURATION DETAILS OF UNDIMENSIONED FEATURES MAY VARY COLOR VARIATIONS MAY OCCUR		PRODUCT DESCRIPTION <b>IEC LOCK C13+ TO R/A SCHUKO,          10A, 250V</b>	
SCALE: NONE    CAD FILE: 44-460.SLDDRW		SIZE <b>A</b>	CAGE CODE <b>3SVT8</b>	ITEM NO. <b>44-460</b>	REV. <b>A</b>