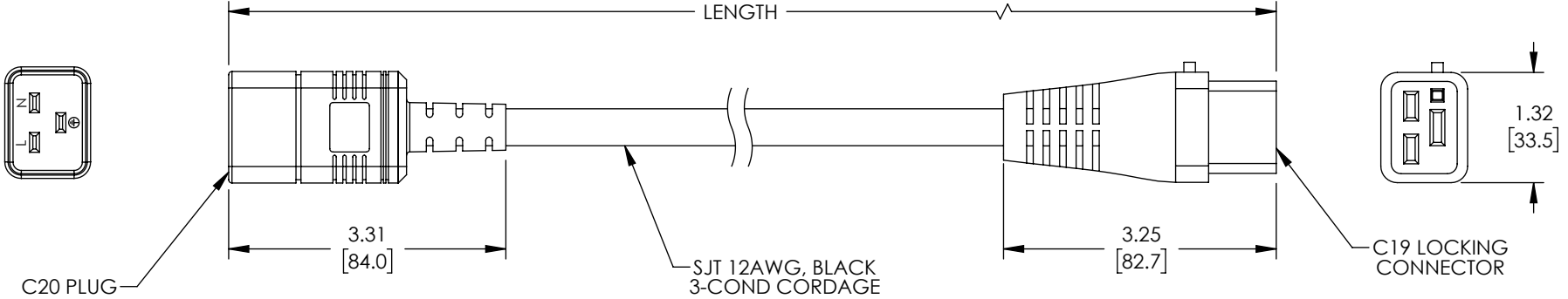
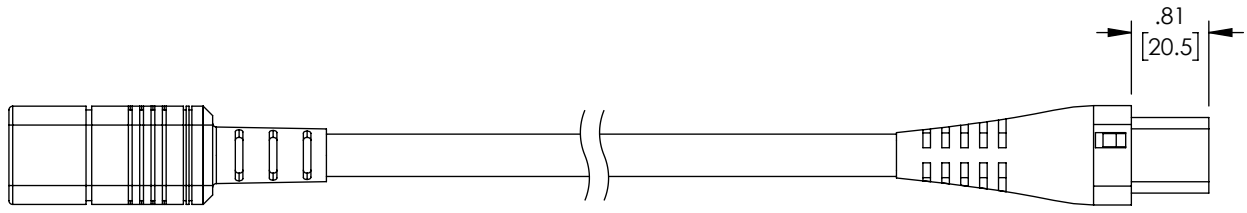


8 7 6 5 4 3 2 1

THE INFORMATION CONTAINED IN THIS DRAWING IS THE SOLE PROPERTY OF SHOW ME CABLES, INC. ANY REPRODUCTION IN PART OR WHOLE WITHOUT THE WRITTEN PERMISSION OF SHOW ME CABLES, INC. IS PROHIBITED.


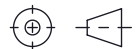
REVISIONS			
REV	DESCRIPTION	DATE	APPROVED
A	INITIAL RELEASE	09/05/22	GUTTADAURO



TABULATION BLOCK	
ITEM NO.	LENGTH ±.6 [15]
44-459-003	36.0 [914]
44-459-006	72.0 [1829]

NOTES:

1. PLUG: TYPE EN60320 C20, BLACK
2. CONNECTOR: EN60320 C19 LOCKING, BLACK
3. CORDAGE: SJT3X12AWG, BLACK  
COLOR CODING OF CONDUCTORS: BLACK, WHITE, GREEN  
APPROVALS: UL, CSA  
RATING: 20A/250V
4. OPTIONAL LABELS MAY INCLUDE UL, CURRENT AND/OR WARNING.
5. CABLE ASSEMBLIES SHALL BE INDIVIDUALLY PACKAGED.

UNLESS OTHERWISE SPECIFIED, DIMENSIONS ARE IN INCHES [mm] OVERALL CABLE LENGTH TOLERANCE: ≤12 [305] = +1 [25] / -0 >12 [305] ≤60 [1524] = +2 [51] / -0 >60 [1524] ≤120 [3048] = +4 [102] / -0 >120 [3048] ≤300 [7620] = +6 [152] / -0 >300 [7620] = +5% / -0 ALL OTHER DIMENSIONAL TOLERANCES: .X = ±.2 [5]   FRACTIONS ± 1/32 .XX = ±.02 [.5]   ANGLES ± 1° .XXX = ±.005 [.13]	APPROVALS DRAWN BY VTHANGARAJ CHECKED BY DGUST APPROVED BY GUTTADAURO	DATE 09/05/22 09/05/22 09/05/22	 115 Chesterfield Industrial Blvd., Chesterfield, MO 63005 Phone: 1.888.519.9505 Fax: 1.888.519.9515
	CONFIGURATION DETAILS OF UNDIMENSIONED FEATURES MAY VARY COLOR VARIATIONS MAY OCCUR	CATEGORY <b>POWER PRODUCTS</b>	PRODUCT DESCRIPTION <b>IEC LOCK C19 TO C20, 20A, 250V</b>
THIRD-ANGLE PROJECTION 	SIZE <b>A</b>	CAGE CODE <b>3SVT8</b>	ITEM NO. <b>44-459</b>
SHEET 1 OF 1			REV. <b>A</b>