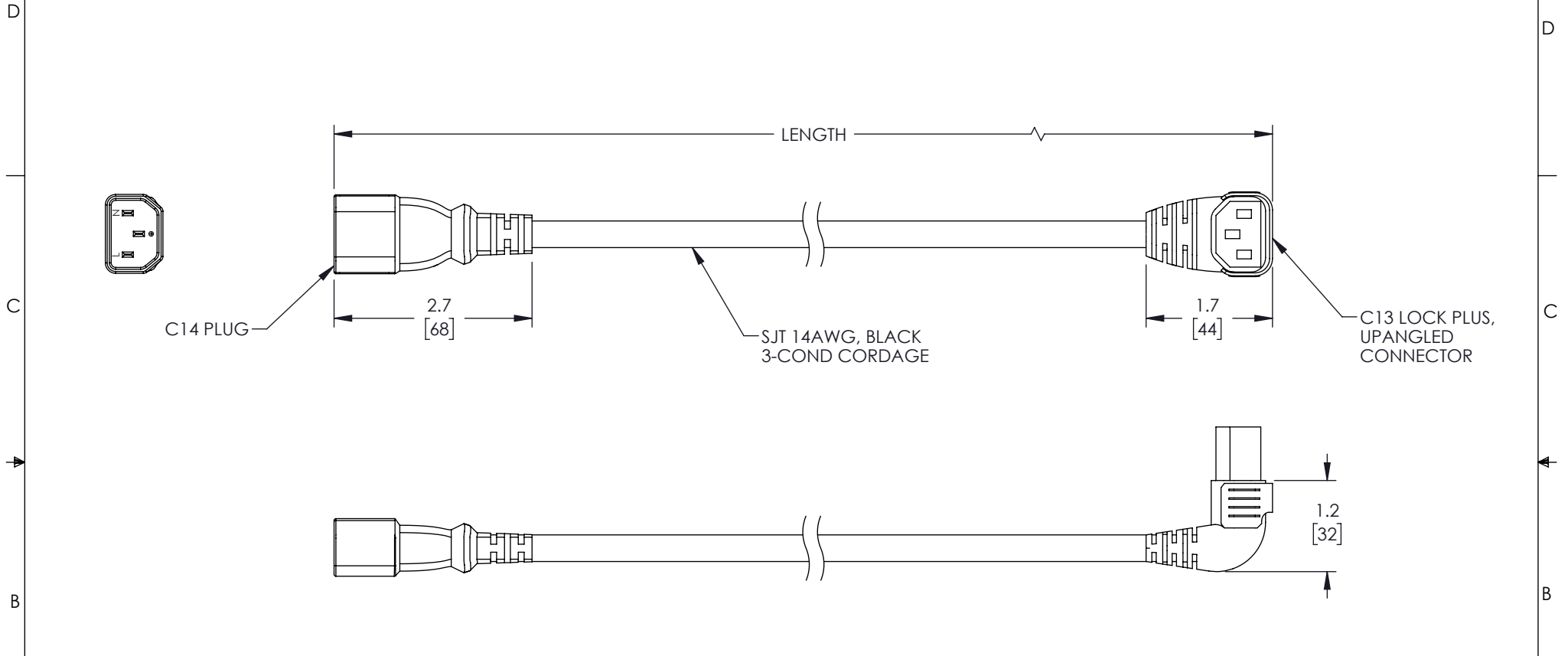


8 7 6 5 4 3 2 1

THE INFORMATION CONTAINED IN THIS DRAWING IS THE SOLE PROPERTY OF SHOW ME CABLES, INC. ANY REPRODUCTION IN PART OR WHOLE WITHOUT THE WRITTEN PERMISSION OF SHOW ME CABLES, INC. IS PROHIBITED.

REVISIONS			
REV	DESCRIPTION	DATE	APPROVED
A	INITIAL RELEASE	08/29/22	GUTTADAURO



C14 PLUG

2.7
[68]

SJT 14AWG, BLACK
3-COND CORDAGE

1.7
[44]


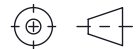
C13 LOCK PLUS,
UPANGLED
CONNECTOR

1.2
[32]

TABULATION BLOCK	
ITEM NO.	LENGTH ±.6 [15]
44-457-003	36.0 [914]
44-457-006	72.0 [1829]

NOTES:

1. PLUG: TYPE EN60320 C14, BLACK
2. CONNECTOR: EN60320 C19 LOCK PLUS, UPANGLED, BLACK
3. CORDAGE: SJT3X14AWG, BLACK
COLOR CODING OF CONDUCTORS: BLACK, WHITE, GREEN
APPROVALS: UL, CSA
RATING: 15A/250V
4. OPTIONAL LABELS MAY INCLUDE UL, CURRENT AND/OR WARNING.
5. CABLE ASSEMBLIES SHALL BE INDIVIDUALLY PACKAGED.

UNLESS OTHERWISE SPECIFIED, DIMENSIONS ARE IN INCHES [mm] OVERALL CABLE LENGTH TOLERANCE: ≤12 [305] = +1 [25] / -0 >12 [305] ≤60 [1524] = +2 [51] / -0 >60 [1524] ≤120 [3048] = +4 [102] / -0 >120 [3048] ≤300 [7620] = +6 [152] / -0 >300 [7620] = +5% / -0 ALL OTHER DIMENSIONAL TOLERANCES: .X = ±.2 [5] FRACTIONS ± 1/32 .XX = ±.02 [.5] ANGLES ± 1° .XXX = ±.005 [.13]	APPROVALS DRAWN BY VTHANGARAJ CHECKED BY DGUST APPROVED BY GUTTADAURO	DATE 08/29/22 08/29/22 08/29/22	 115 Chesterfield Industrial Blvd., Chesterfield, MO 63005 Phone: 1.888.519.9505 Fax: 1.888.519.9515 CATEGORY POWER PRODUCTS PRODUCT DESCRIPTION IEC LOCK C13+ UP ANGLED TO C14, 15A, 250V
	THIRD-ANGLE PROJECTION 	CONFIGURATION DETAILS OF UNDIMENSIONED FEATURES MAY VARY COLOR VARIATIONS MAY OCCUR	