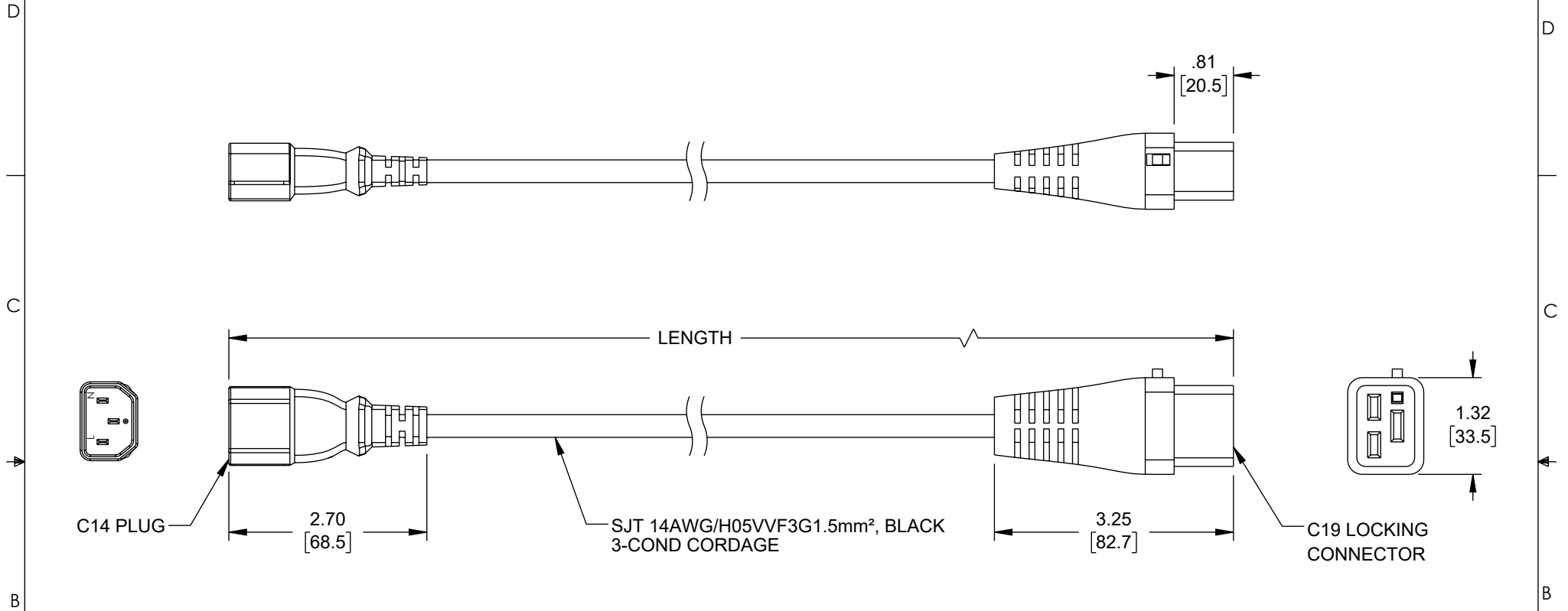


8 7 6 5 4 3 2 1

THE INFORMATION CONTAINED IN THIS DRAWING IS THE SOLE PROPERTY OF SHOW ME CABLES, INC. ANY REPRODUCTION IN PART OR WHOLE WITHOUT THE WRITTEN PERMISSION OF SHOW ME CABLES, INC. IS PROHIBITED.

REVISION		REVISIONS			
ZONE	REV	DESCRIPTION	DATE	CHANGED BY	APPROVED
	B	ECO-12900	10/5/2023	SREITER	DGUST



NOTES:

1. PLUG: TYPE C14, BLACK
2. CONNECTOR: C19 LOCKING, BLACK
3. CORDAGE: SJT3X14/H05VVF3G1.5mm², BLACK
4. FOR REFERENCE ONLY:
  - A. COLOR CODING OF CONDUCTORS: BLUE, BROWN, GREEN/YELLOW
  - B. APPROVALS: ENEC, UL, cUL, SAA
  - C. RATING: 15A/250V (U.S.), 10A/250V (EUROPE)
5. OPTIONAL LABELS MAY INCLUDE UL, CURRENT AND/OR WARNING.
6. CABLE ASSEMBLIES SHALL BE INDIVIDUALLY PACKAGED.

TABULATION BLOCK	
ITEM NO.	LENGTH ±.6 [15]
44-456-003	36.0 [914]
44-456-006	72.0 [1829]
44-456-010	120.0 [3048]

UNLESS OTHERWISE SPECIFIED, DIMENSIONS ARE IN INCHES [mm] OVERALL CABLE LENGTH TOLERANCE: ≤12 [305] = +1 [25] / -0 >12 [305] ≤60 [1524] = +2 [51] / -0 >60 [1524] ≤120 [3048] = +4 [102] / -0 >120 [3048] ≤300 [7620] = +6 [152] / -0 >300 [7620] = +5% / -0 ALL OTHER DIMENSIONAL TOLERANCES: .X = ±.2 [5]   FRACTIONS ± 1/32 .XX = ±.02 [.5]   ANGLES ± 1° .XXX = ±.005 [.13]	APPROVALS DRAWN BY SREITER CHECKED BY DGUST APPROVED BY GUITADAURO	DATE 5/11/2023 05/11/2023 05/11/2023	<b>Show Me CABLES</b> an INFINIT® brand 115 Chesterfield Industrial Blvd., Chesterfield, MO 63005 Phone: 1.888.519.9505 Fax: 1.888.519.9515		
	THIRD-ANGLE PROJECTION 	CONFIGURATION DETAILS OF UNDIMENSIONED FEATURES MAY VARY COLOR VARIATIONS MAY OCCUR		CATEGORY <b>POWER PRODUCTS</b> PRODUCT DESCRIPTION <b>IEC LOCK C19 TO C14, 15A, 250V</b>	
		SIZE <b>A</b> SCALE: NONE	CAGE CODE <b>3SVT8</b> CAD FILE: 44-456-010.SLDDRW	ITEM NO. <b>44-456-XXX</b> SHEET 1 OF 1	REV. <b>B</b>