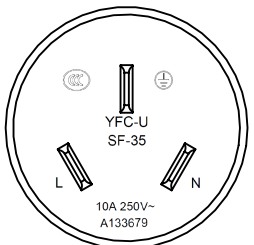
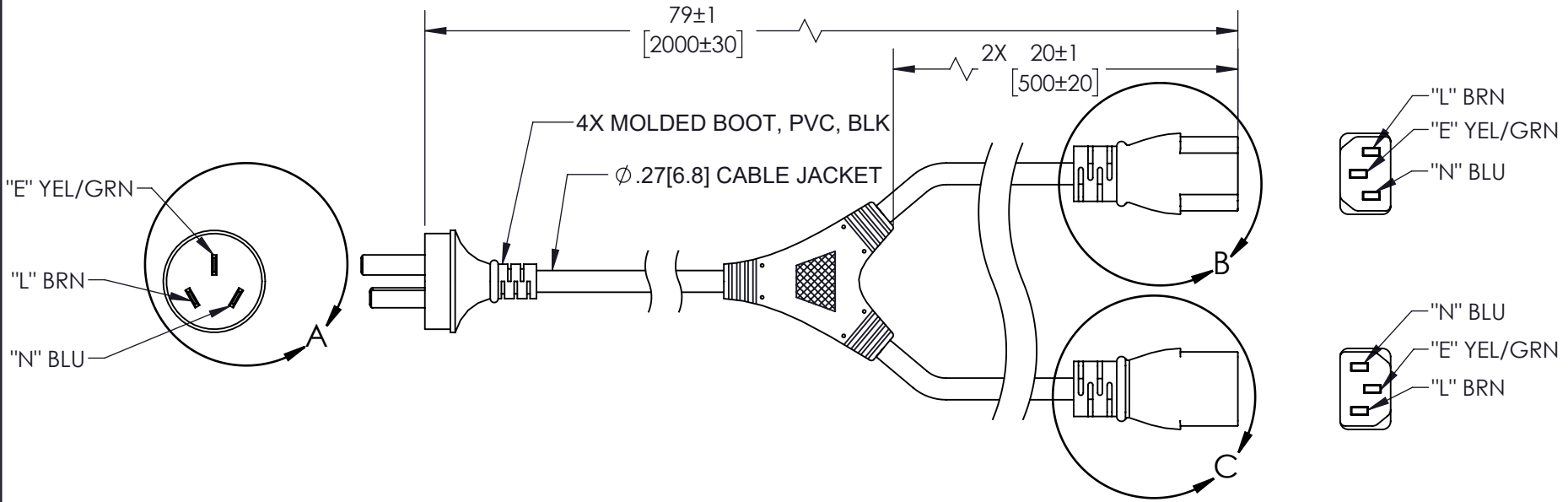
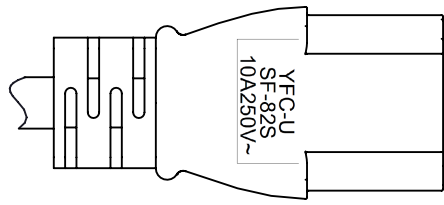


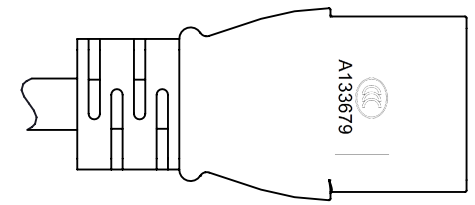
REVISIONS			
REV.	DESCRIPTION	DATE	APPROVED
A	INITIAL RELEASE	05/20/2022	GUTTADAURO



DETAIL A



DETAIL B  
2 PLACES



DETAIL C  
2 PLACES

NOTES:

- VOLTAGE RATING:  
DIELECTRIC VOLTAGE WITHSTAND TEST: 2000V/1 SECOND  
CONDUCTOR RESISTANCE:  $\leq 22.4 \Omega / 1000$  METERS  
VOLTAGE RATING: AC 300/500V
- CABLE MARKING:  
CCC A133679 60227 IEC 53 (RVV) 300/500V 3 $\times$ 0.75MM<sup>2</sup>.
- OPTIONAL LABELS MAY INCLUDE UL, CURRENT AND/OR WARNING.
- CABLE ASSEMBLIES SHALL BE INDIVIDUALLY PACKAGED.

THESE COMMODITIES, TECHNOLOGY OR SOFTWARE WERE EXPORTED FROM THE UNITED STATES IN ACCORDANCE WITH THE EXPORT ADMINISTRATION REGULATIONS. DIVERSION CONTRARY TO U.S. LAW PROHIBITED.

UNLESS OTHERWISE SPECIFIED LEADING DIMENSIONS ARE INCHES DIMENSIONS IN [ ] ARE MILLIMETERS

TOLERANCES:

X = ± 2 [5.08]	FRACTIONS ± 1/32
.XX = ± 0.02 [.51]	ANGLES ± 1°
XXX = ± 0.005 [.13]	

CABLE LENGTH (L) TOLERANCES:

L ≤ 12 [305] = +1 [25] / -0
12 [305] < L ≤ 60 [1524] = +2 [51] / -0
60 [1524] < L ≤ 120 [3048] = +4 [102] / -0
120 [3048] < L ≤ 300 [7620] = +6 [152] / -0
300 [7620] < L = +5%L / -0

ALL DIMENSIONS SHOWN ARE FOR REFERENCE ONLY.

**Show Me**  
CABLES

an INFINIT® brand  
115 Chesterfield Industrial Blvd.,  
Chesterfield, MO 63005  
Phone: 1.888.519.9505 | Fax: 1.888.519.9515  
Website: www.ShowMeCables.com  
E-mail: CustomerService@ShowMeCables.com

SIZE	CAGE CODE	DRAWN BY	ITEM NO.	REV
A	3SVT8	AKRESOWSK	44-446-02M	A

THIRD-ANGLE PROJECTION

THE INFORMATION AND DESIGN IN THIS DOCUMENT IS THE PROPERTY OF SHOWMECABLES, INC. ALL RIGHTS RESERVED.

SHEET	OF
1	1
SCALE	N/A