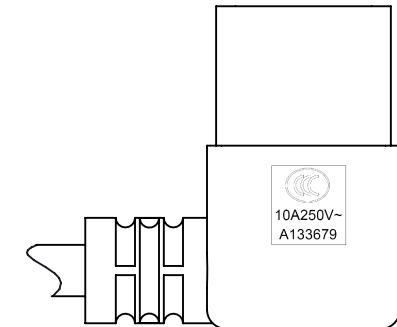
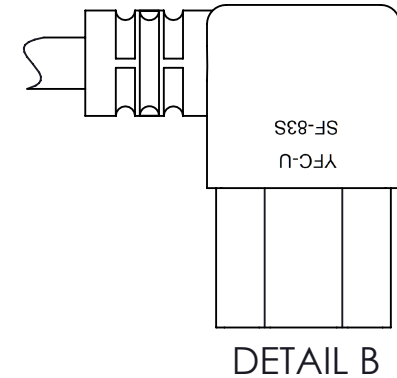
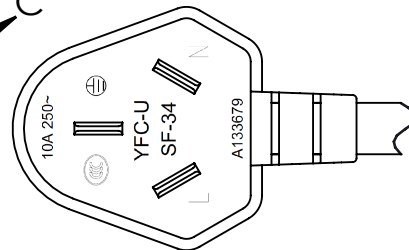
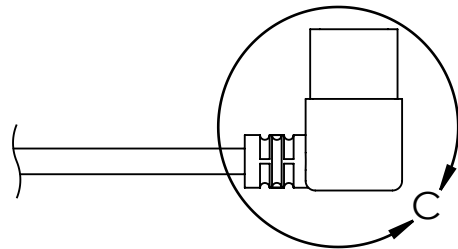
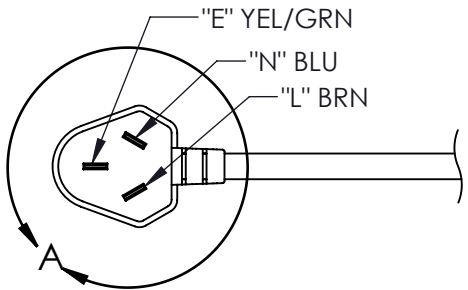
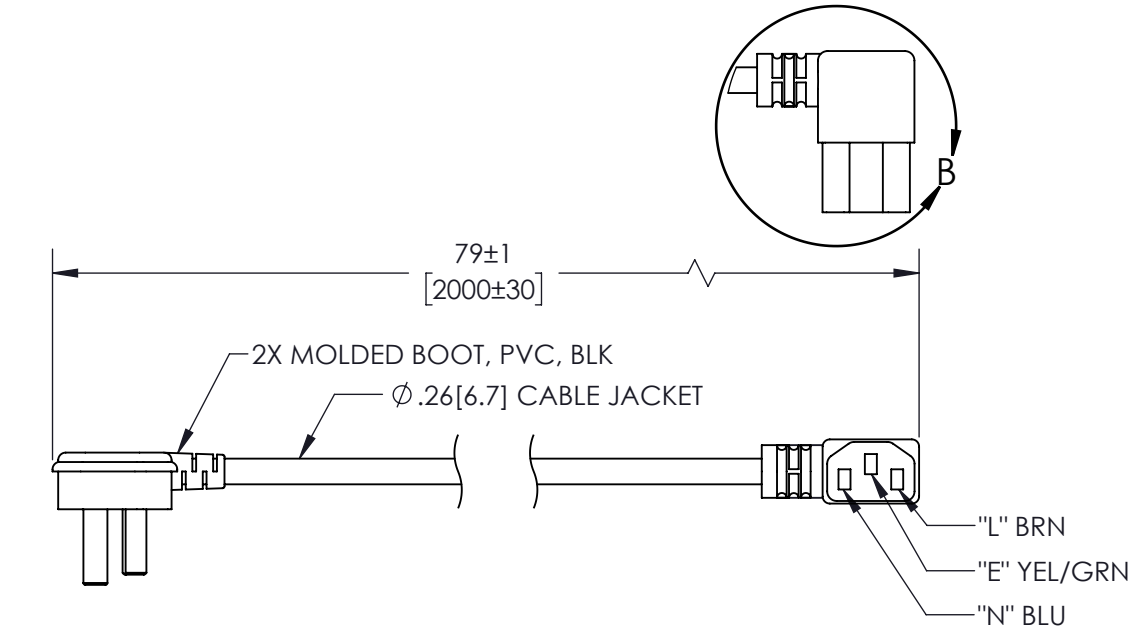


REVISIONS			
REV.	DESCRIPTION	DATE	APPROVED
A	INITIAL RELEASE	05/20/2022	GUTTADAURO



NOTES:

- VOLTAGE RATING:  
DIELECTRIC VOLTAGE WITHSTAND TEST: 2000V/1 SECOND  
CONDUCTOR RESISTANCE: ≤22.4 Ω/1000 METERS  
VOLTAGE RATING: AC 300/500V
- CABLE MARKING:  
CCC A133679 60227 IEC 53 (RVV) 300/500V 3×0.75MM<sup>2</sup>.
- OPTIONAL LABELS MAY INCLUDE UL, CURRENT AND/OR WARNING.
- CABLE ASSEMBLIES SHALL BE INDIVIDUALLY PACKAGED.

THESE COMMODITIES, TECHNOLOGY OR SOFTWARE WERE EXPORTED FROM THE UNITED STATES IN ACCORDANCE WITH THE EXPORT ADMINISTRATION REGULATIONS. DIVERSION CONTRARY TO U.S. LAW PROHIBITED.

DETAIL A

DETAIL C

UNLESS OTHERWISE SPECIFIED LEADING DIMENSIONS ARE INCHES DIMENSIONS IN [ ] ARE MILLIMETERS TOLERANCES: X = ± 2 [5.08] FRACTIONS .XX = ± 0.02 [.51] ± 1/32 .XXX = ± 0.005 [.13] ANGLES ± 1° CABLE LENGTH (L) TOLERANCES: L ≤ 12 [305] = +1 [25] / -0 12 [305] < L ≤ 60 [1524] = +2 [51] / -0 60 [1524] < L ≤ 120 [3048] = +4 [102] / -0 120 [3048] < L ≤ 300 [7620] = +6 [152] / -0 300 [7620] < L = +5%L / -0 ALL DIMENSIONS SHOWN ARE FOR REFERENCE ONLY.		<p><b>Show Me</b> CABLES</p> <p>an INFINIT<sup>®</sup> brand          115 Chesterfield Industrial Blvd.,          Chesterfield, MO 63005          Phone: 1.888.519.9505   Fax: 1.888.519.9515          Website: www.ShowMeCables.com          E-mail: CustomerService@ShowMeCables.com</p>		THIRD-ANGLE PROJECTION  THE INFORMATION AND DESIGN IN THIS DOCUMENT IS THE PROPERTY OF SHOWMECABLES, INC ALL RIGHTS RESERVED. SHEET 1 OF 1 SCALE N/A	
SIZE A	CAGE CODE 3SVT8	DRAWN BY AKRESOWSK	ITEM NO. 44-435-02M	REV A	