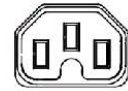
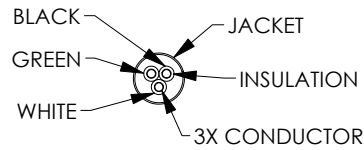
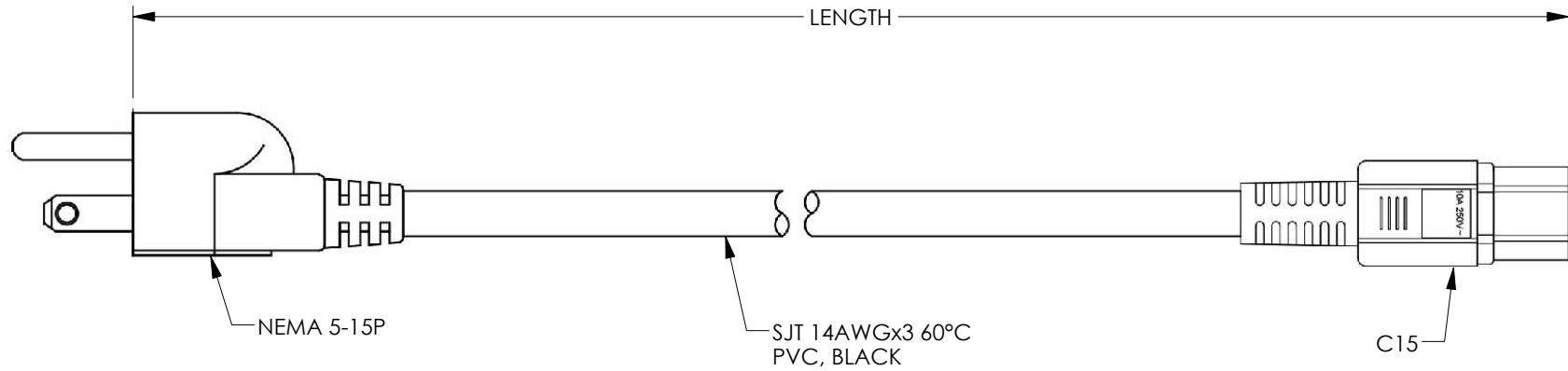


THE INFORMATION CONTAINED IN THIS DRAWING IS THE SOLE PROPERTY OF SHOW ME CABLES, INC. ANY REPRODUCTION IN PART OR WHOLE WITHOUT THE WRITTEN PERMISSION OF SHOW ME CABLES, INC. IS PROHIBITED.

REVISIONS			
REV	DESCRIPTION	DATE	APPROVED
B	INITIAL RELEASE PER ECN 11946	07/14/2022	GUTTADAURO



PART NUMBER	LENGTH FEET	LENGTH METERS
44-150-001	1.0	.30
44-150-003	3.0	.91
44-150-006	6.0	1.83
44-150-010	10.0	3.05
44-150-015	15.0	4.57

NOTES:

- VOLTAGE RATING: AC \geq 1500V/S
- CONNECTOR MALE POWER RATING: NEMA 5-15P UL-E257089
- CONNECTOR C15 POWER RATING: 15A UL-E257089
- CABLE: SJT 14AWGx3, 300V, 60°C VW-1 E313867 FT1
- CABLE ASSEMBLY SHALL BE INDIVIDUALLY PACKAGED.

UNLESS OTHERWISE SPECIFIED, DIMENSIONS ARE IN INCHES [mm] OVERALL CABLE LENGTH TOLERANCE: ≤12 [305] = +1 [25] / -0 >12 [305] ≤60 [1524] = +2 [51] / -0 >60 [1524] ≤120 [3048] = +4 [102] / -0 >120 [3048] ≤300 [7620] = +6 [152] / -0 >300 [7620] = +5% / -0 ALL OTHER DIMENSIONAL TOLERANCES: .X = ± .2 [5] FRACTIONS ± 1/32 .XX = ± .02 [5] ANGLES ± 1° .XXX = ± .005 [13]	APPROVALS	DATE	 115 Chesterfield Industrial Blvd., Chesterfield, MO 63005 Phone: 1.888.519.9505 Fax: 1.888.519.9515
	DRAWN BY DFRISIELLO	07/14/2022	
THIRD-ANGLE PROJECTION 	CHECKED BY BPUCHASKI	07/14/2022	CATEGORY POWER PRODUCT
	APPROVED BY GUTTADAURO	07/14/2022	PRODUCT DESCRIPTION PC/PDU Power Cord - NEMA 5-15P to C15 - 15Amp
COLOR VARIATIONS MAY OCCUR	SIZE A	CAGE CODE 3SVT8	ITEM NO. 44-150-XXX
SCALE: NONE		CAD FILE: 44-150-XXX.SLDDRW	REV. B
SHEET 1 OF 1			