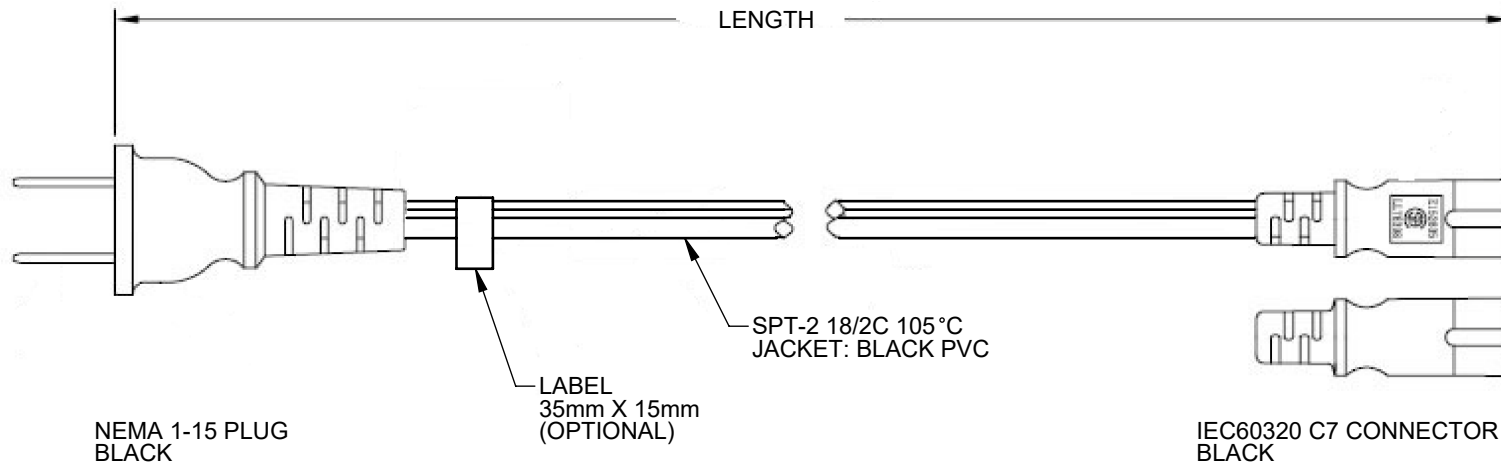


THE INFORMATION CONTAINED IN THIS DRAWING IS THE SOLE PROPERTY OF SHOW ME CABLES, INC. ANY REPRODUCTION IN PART OR WHOLE WITHOUT THE WRITTEN PERMISSION OF SHOW ME CABLES, INC. IS PROHIBITED.

REVISIONS			
REV	DESCRIPTION	DATE	APPROVED
B	ECN 12015: UPDATE AMPERAGE, LABELS	8/15/2022	DGUST



ITEM NUMBER	LENGTH	
	FEET	METERS
44-110-003	3	0.91
44-110-006	6	1.83
44-110-015	15	4.57

- NOTES:
1. APPROVALS: UL, CSA
 2. RATING: 7A/125V
 3. CABLE ASSEMBLY SHALL BE INDIVIDUALLY PACKAGED.

UNLESS OTHERWISE SPECIFIED, DIMENSIONS ARE IN INCHES [mm] OVERALL CABLE LENGTH TOLERANCE: ≤12 [305] = +1 [25] / -0 >12 [305] ≤60 [1524] = +2 [51] / -0 >60 [1524] ≤120 [3048] = +4 [102] / -0 >120 [3048] ≤300 [7620] = +6 [152] / -0 >300 [7620] = +5% / -0 ALL OTHER DIMENSIONAL TOLERANCES: .X = ± .2 [5] FRACTIONS ± 1/32 .XX = ± .02 [5] ANGLES ± 1° .XXX = ± .005 [1.3]	APPROVALS DRAWN BY DMAY CHECKED BY HBAKKE APPROVED BY DGUST	DATE 8/15/2022 8/15/2022 8/15/2022	 115 Chesterfield Industrial Blvd., Chesterfield, MO 63005 Phone: 1.888.519.9505 Fax: 1.888.519.9515
	THIRD-ANGLE PROJECTION 	CONFIGURATION DETAILS OF UNDIMENSIONED FEATURES MAY VARY COLOR VARIATIONS MAY OCCUR	CATEGORY POWER PRODUCTS
SIZE A		CAGE CODE 3SVT8	ITEM NO. 44-110-XXX
SCALE: NONE		CAD FILE: 44-110-XXX.SLDDRW	REV. B SHEET 1 OF 1