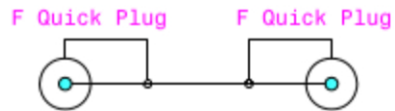
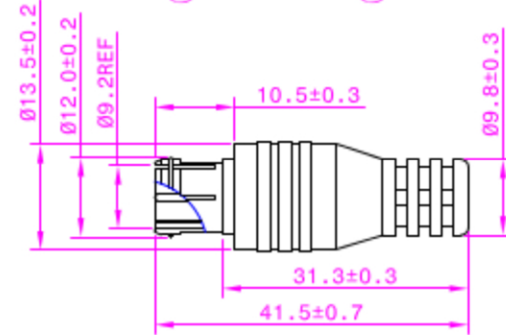


Soldered Drawing:



Note:  
 1. Unless otherwise specified:  
 All dimensions are in millimeter  
 tolerances:  $\pm 1.0$   
 2. The connectors should withstand  
 a minimum axial pull force of 30lbs.



Cable Marking: RG59/U COAXIAL CABLE

### Materials Specifications

No	Qty	Desc	Material	Notes
1	1	Center Conductor	Copper Clad Steel	
2	1	Insulation	FPE	
3	1	Shield	AL	
4	1	Braiding	AL	
5	1	Jacket	PVC	
6	2	Mold	PVC	Black
7	2	F Quick Plug	Brass	Nickel Plated