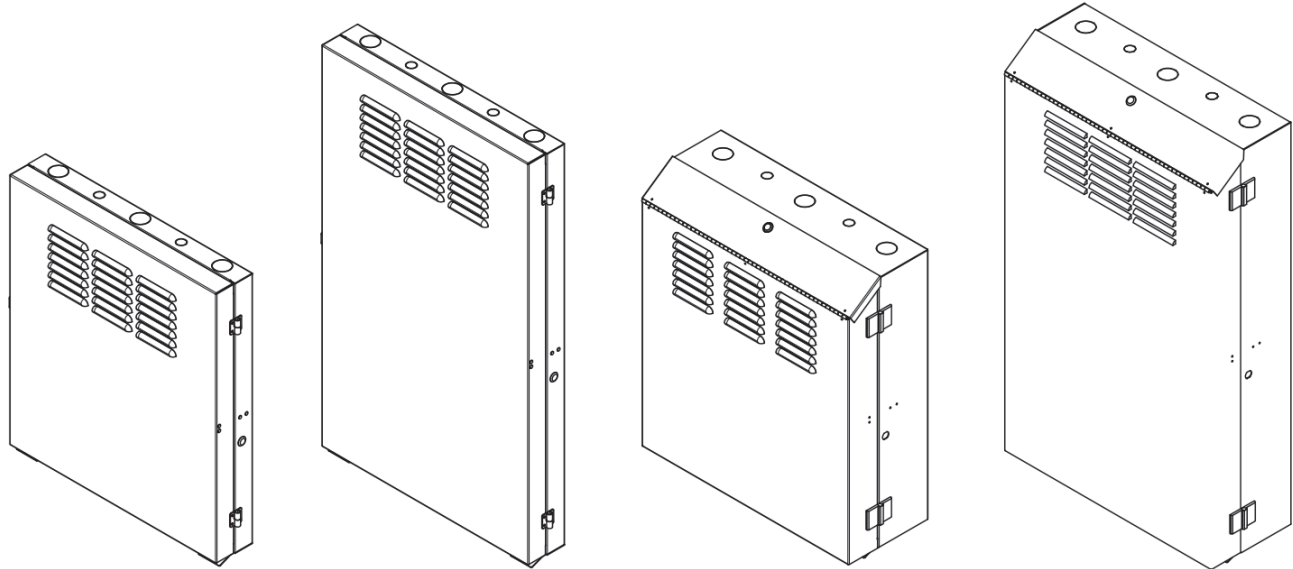


Owner's Manual: Vertical Wall Mount Rack Enclosure



Keep this information for further reference.

Thank you for purchasing a ShowMeCables product. In case of any questions regarding the installation or use of product, please call us at 866.488.2926.

Please examine the product for any damaged parts. If any part is damaged or missing, contact ShowMeCables for further assistance. Do not attempt to install or use product if it has been damaged.

During installation, lay product contents on cardboard or other protective surface to avoid any damage.

Improper installation or use of this product can result in damage to the product, other equipment, or personal injury. It is recommended that installation to be performed by a qualified installer. ShowMeCables cannot be held responsible for damage to equipment or personal injury resulting from improper use or installation of product. If product is intended to store/ mount equipment, please ensure the equipment stored/ mounted does not exceed the specified weight capacity. Install the heaviest equipment first and install it at the bottom of the rack. Install equipment starting from the bottom of the rack and move upward.

Limitations of Liability: In no event will ShowMeCables be liable for any damages, whether direct or indirect, special, punitive, incidental or consequential damages (including, but not limited to, lost profits or revenue, loss of use, lost business opportunities or loss of goodwill) or for the costs of procuring substitute products, arising out of or in connection with the use of the product, whether such liability arises from any claim based upon contract, warranty, tort (including negligence), product liability or otherwise, whether or not seller has been advised of the possibility of such loss or damage. In no event will seller's total cumulative liability, from all causes of action and all theories of liability, exceed the total amounts actually paid to seller by customer under the order that gives rise to any liability hereunder.

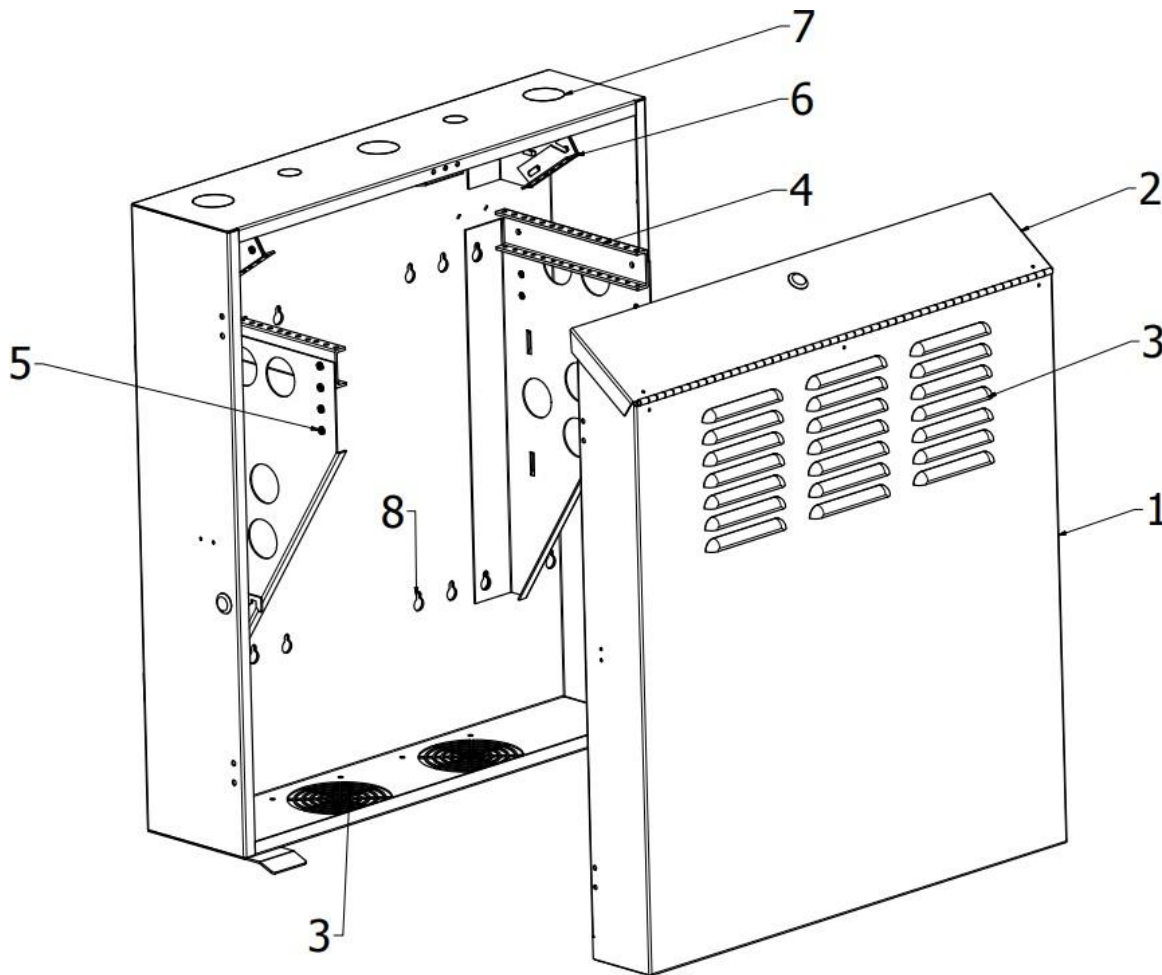
Part Numbers	Wall Mount Cabinet	Adj. Vertical Rail Mounting Depth (1in increments)			Panel Bracket	
		Minimum	Max	RU	Panel	Bracket
SMCF2U400	2U Vertical Wall Mount, 400mm (16 in), Black	12.8in (325mm)	15.8in (400mm)	2U	1U	
SMCF2U600	2U Vertical Wall Mount, 600mm (24 in), Black	20.7in (525mm)	23.6in (600mm)	2U	1U	
SMCF2U700	2U Vertical Wall Mount, 700mm (28 in), Black	24.6in (625mm)	27.6in (700mm)	2U	1U	
SMCF3U400	3U Vertical Wall Mount, 400mm (16 in), Black	12.8in (325mm)	15.8in (400mm)	3U	1U	
SMCF3U550	3U Vertical Wall Mount, 550mm (22 in), Black	16.7in (425mm)	21.7in (550mm)	3U	1U	
SMCF3U600	3U Vertical Wall Mount, 600mm (24 in), Black	20.7in (525mm)	23.6in (600mm)	3U	1U	
SMCF3U700	3U Vertical Wall Mount, 700mm (28 in), Black	24.6in (625mm)	27.6in (700mm)	3U	1U	
SMCF4U400	4U Vertical Wall Mount, 400mm (16 in), Black	12.8in (325mm)	15.8in (400mm)	4U	1U	
SMCF4U550	4U Vertical Wall Mount, 550mm (22 in), Black	16.7in (425mm)	21.7in (550mm)	4U	1U	
SMCF4U600	4U Vertical Wall Mount, 600mm (24 in), Black	20.7in (525mm)	23.6in (600mm)	4U	1U	
SMCF4U700	4U Vertical Wall Mount, 700mm (28 in), Black	24.6in (625mm)	27.6in (700mm)	4U	1U	
SMCF4U900	4U Vertical Wall Mount, 900mm (36 in), Black	32.5in (825mm)	35.4in (900mm)	4U	1U	
SMCF5U400	5U Vertical Wall Mount, 400mm (16 in), Black	12.8in (325mm)	15.8in (400mm)	5U	2U	
SMCF5U600	5U Vertical Wall Mount, 600mm (24 in), Black	20.7in (525mm)	23.6in (600mm)	5U	2U	
SMCF5U700	5U Vertical Wall Mount, 700mm (28 in), Black	24.6in (625mm)	27.6in (700mm)	5U	2U	
SMCF6U400	6U Vertical Wall Mount, 400mm (16 in), Black	12.8in (325mm)	15.8in (400mm)	6U	2U	
SMCF6U550	6U Vertical Wall Mount, 550mm (22 in), Black	16.7in (425mm)	21.7in (550mm)	6U	2U	
SMCF6U600	6U Vertical Wall Mount, 600mm (24 in), Black	20.7in (525mm)	23.6in (600mm)	6U	2U	
SMCF6U700	6U Vertical Wall Mount, 700mm (28 in), Black	24.6in (625mm)	27.6in (700mm)	6U	2U	
SMCF6U900	6U Vertical Wall Mount, 900mm (36 in), Black	32.5in (825mm)	35.4in (900mm)	6U	2U	
SMCF8U400	8U Vertical Wall Mount, 400mm (16 in), Black	12.8in (325mm)	15.8in (400mm)	8U	2U	
SMCF8U550	8U Vertical Wall Mount, 550mm (22 in), Black	16.7in (425mm)	21.7in (550mm)	8U	2U	
SMCF8U600	8U Vertical Wall Mount, 600mm (24 in), Black	20.7in (525mm)	23.6in (600mm)	8U	2U	
SMCF8U700	8U Vertical Wall Mount, 700mm (28 in), Black	24.6in (625mm)	27.6in (700mm)	8U	2U	
SMCF8U900	8U Vertical Wall Mount, 900mm (36 in), Black	32.5in (825mm)	35.4in (900mm)	8U	2U	

Part Number	Wall Mount Cabinet	Adj. Vertical Rail Mounting Depth (1in increments)			Patch Panel Bracket	
		Minimum	Max	RU	Panel	Bracket
SMC-F2U400-WT	2U Vertical Wall Mount, 400mm (16 in), White	12.8in (325mm)	15.8in (400mm)	2U	1U	
SMC-F2U600-WT	2U Vertical Wall Mount, 600mm (24 in), White	20.7in (525mm)	23.6in (600mm)	2U	1U	
SMC-F2U700-WT	2U Vertical Wall Mount, 700mm (28 in), White	24.6in (625mm)	27.6in (700mm)	2U	1U	
SMC-F3U400-WT	3U Vertical Wall Mount, 400mm (16 in), White	12.8in (325mm)	15.8in (400mm)	3U	1U	
SMC-F3U550-WT	3U Vertical Wall Mount, 550mm (22 in), White	16.7in (425mm)	21.7in (550mm)	3U	1U	
SMC-F3U600-WT	3U Vertical Wall Mount, 600mm (24 in), White	20.7in (525mm)	23.6in (600mm)	3U	1U	
SMC-F3U700-WT	3U Vertical Wall Mount, 700mm (28 in), White	24.6in (625mm)	27.6in (700mm)	3U	1U	
SMC-F4U400-WT	4U Vertical Wall Mount, 400mm (16 in), White	12.8in (325mm)	15.8in (400mm)	4U	1U	
SMC-F4U550-WT	4U Vertical Wall Mount, 550mm (22 in), White	16.7in (425mm)	21.7in (550mm)	4U	1U	
SMC-F4U600-WT	4U Vertical Wall Mount, 600mm (24 in), White	20.7in (525mm)	23.6in (600mm)	4U	1U	
SMC-F4U700-WT	4U Vertical Wall Mount, 700mm (28 in), White	24.6in (625mm)	27.6in (700mm)	4U	1U	
SMC-F4U900-WT	4U Vertical Wall Mount, 900mm (36 in), White	32.5in (825mm)	35.4 (900mm)	4U	1U	
SMC-F6U400-WT	6U Vertical Wall Mount, 400mm (16 in), White	12.8in (325mm)	15.8in (400mm)	6U	2U	
SMC-F6U550-WT	6U Vertical Wall Mount, 550mm (22 in), White	16.7in (425mm)	21.7in (550mm)	6U	2U	
SMC-F6U600-WT	6U Vertical Wall Mount, 600mm (24 in), White	20.7in (525mm)	23.6in (600mm)	6U	2U	
SMC-F6U700-WT	6U Vertical Wall Mount, 700mm (28 in), White	24.6in (625mm)	27.6in (700mm)	6U	2U	
SMC-F6U900-WT	6U Vertical Wall Mount, 900mm (36 in), White	32.5in (825mm)	35.4 (900mm)	6U	2U	

1. Feature Identification

Warning: Do not attempt to mount the rack on wall, when any equipment is mounted inside enclosure. Enclosure can hold up to 150 pounds. Before installation, make sure wall surface can hold weight of enclosure / equipment.

Features for all other models are similar except the 2U, 3U & 4U, it does not have a top panel door.



- 1. Front Door
- 2. Top Panel Door

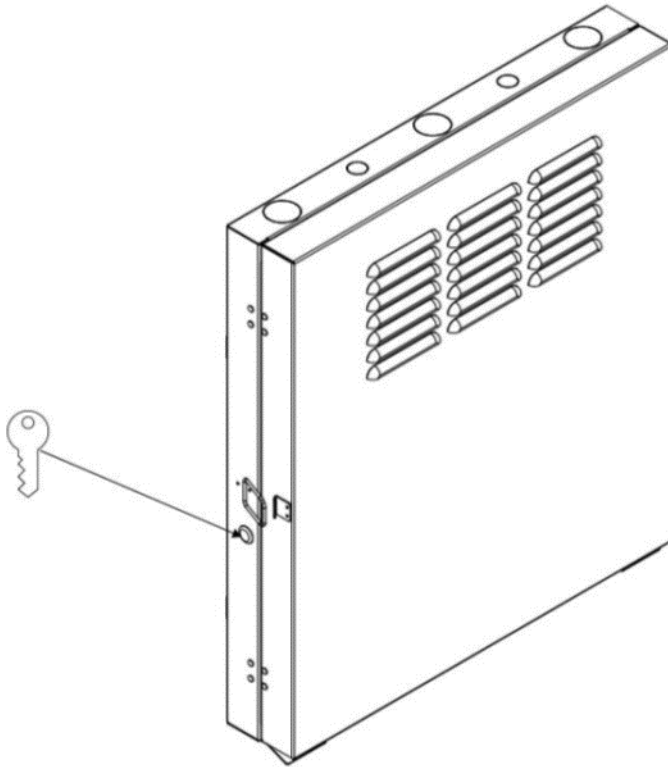
- 3. Vents
- 4. Horizontal Mounting Bracket

- 5. Vertical Mounting Bracket
- 6. Patch Panel Mounting Bracket

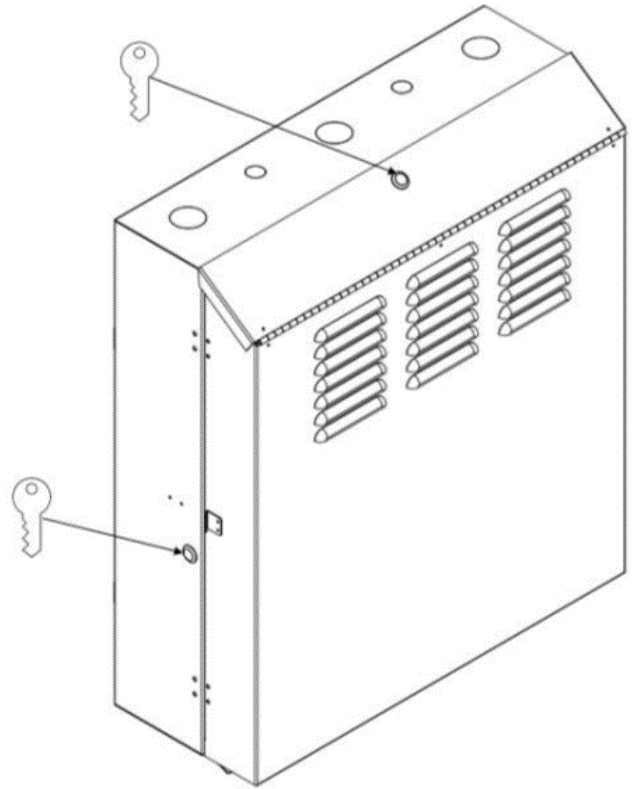
- 7. Cable Access Holes
- 8. Wall Mounting Slots

2. Enclosure Configuration

Door Locks



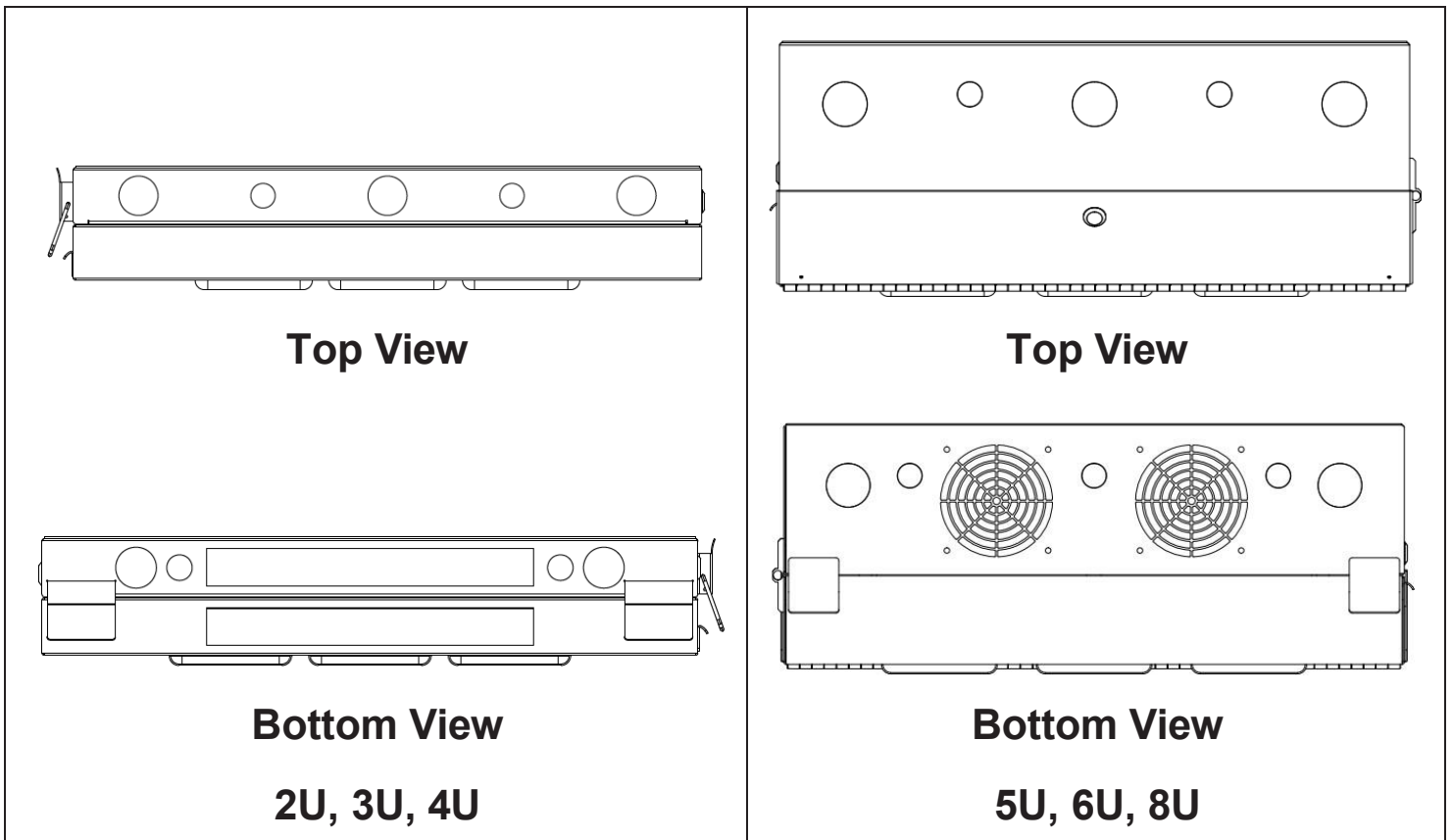
2U, 3U, 4U



5U, 6U, 8U

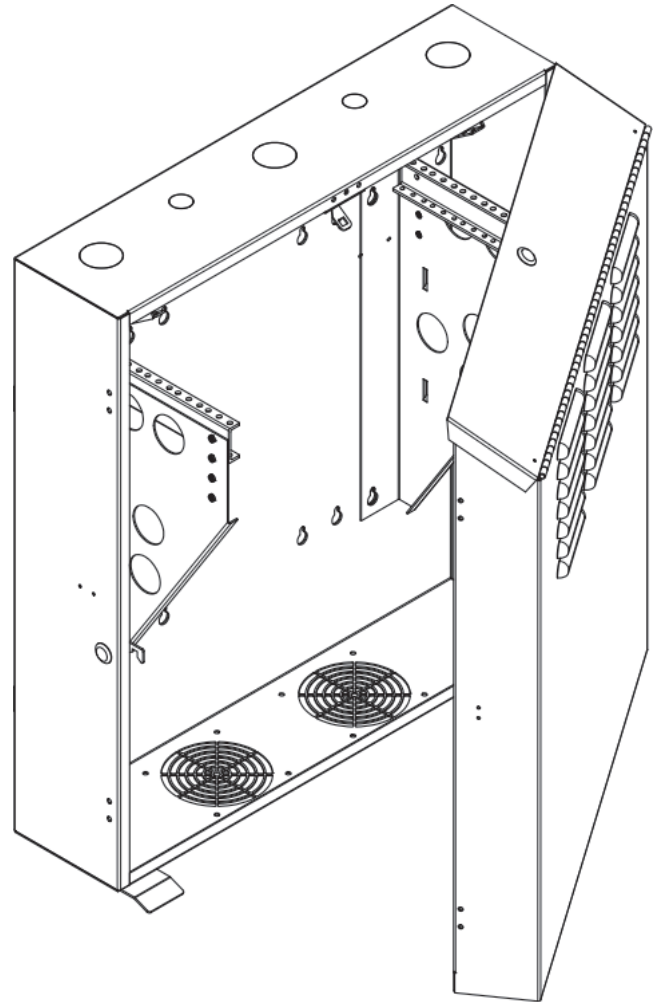
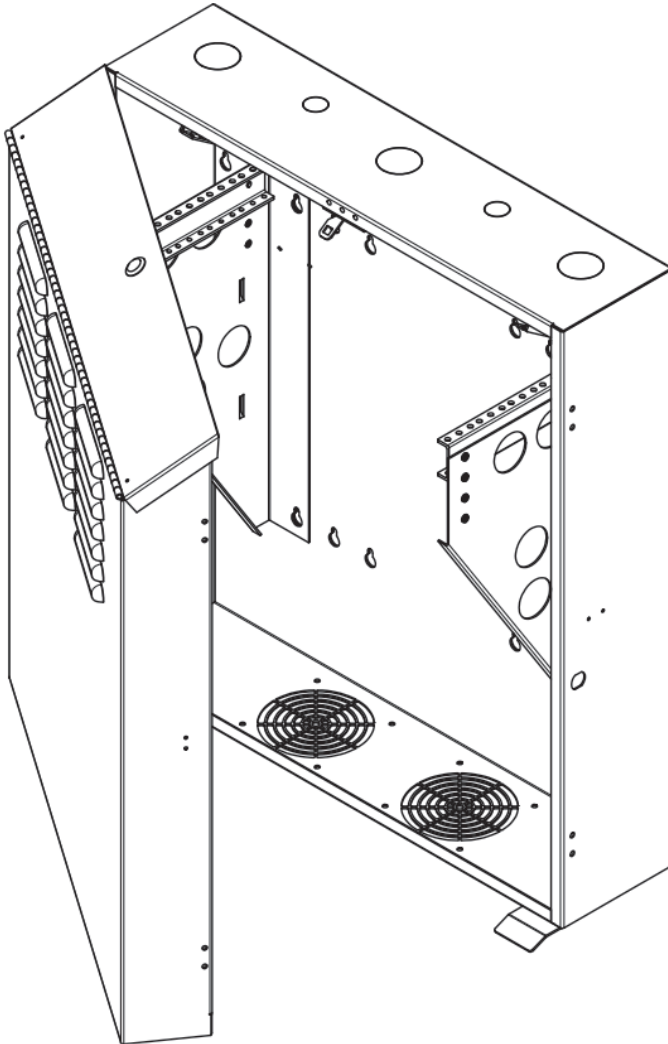
The 2U series models have one lock on the side of the unit that can be secured with the included key. The 5U series models have locks on the front door and the top panel door that can be secured with the included keys. All models have a front door latch that can be locked with a user-supplied padlock for extra security.

3. Cable Access and Management



The top and bottom panels of the enclosure both have circular cable access ports for convenient cable management. The tops of all models have three 1.75" ports and two 1" ports. The bottoms of 2U series models have two 1" and 1.75" ports, while the 5U series models have three 1" ports and two 1.75" ports.

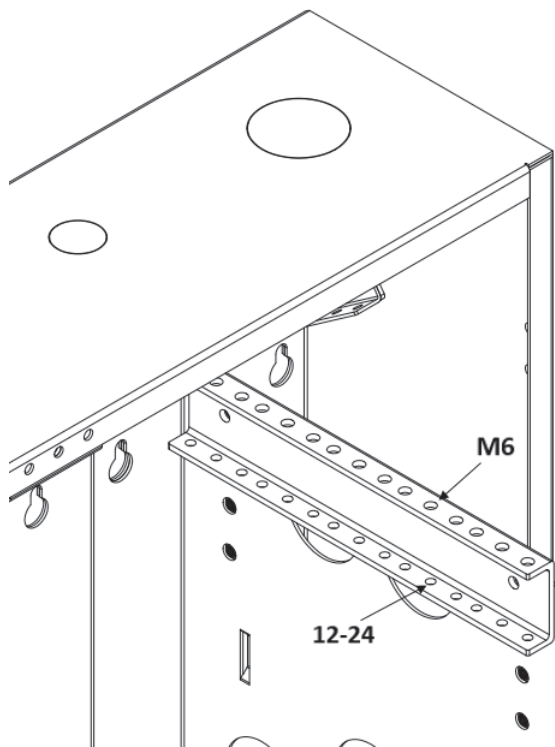
Reversing The Front Door



In order to accommodate various rack installations, the front door can be reversed by switching the configuration of the latch, lock and hinges. To reverse the door, simply remove the screws that secure the latch, lock and hinges to the enclosure. Move each piece to the opposite side of the enclosure, so that there are two hinges on one side (one at the top, one at the bottom) and install the latch and the lock on the other side.

Note: The unused screw holes are filled with rubber placeholders. To remove the placeholders, push them through with a screwdriver. Keep the placeholders to refill unused screw holes.

Mounting Rails

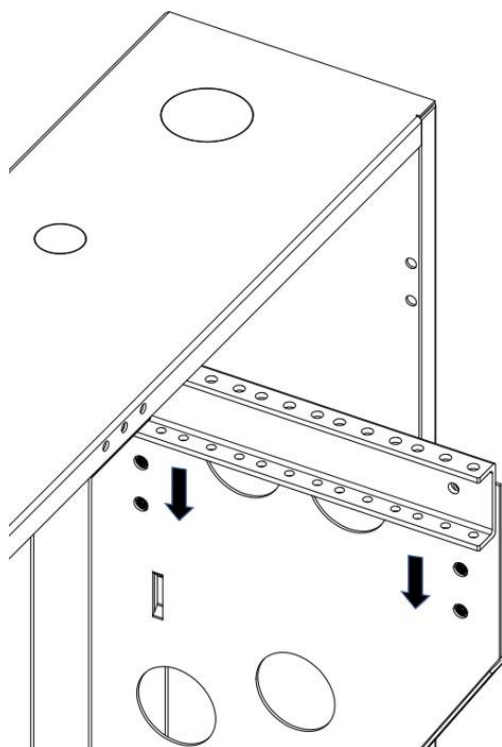


The enclosure comes with reversible horizontal mounting rails that have threaded holes for mounting rack equipment. The holes on one side of the rail are threaded for M6 hardware, while the holes on the other side are threaded for 12-24 hardware.

Orient the rails so the hole type required is on top. To install equipment, use the included M6 or 12-24 hardware to secure equipment to the rails. (See the following page for equipment installation instructions.)

Warning: Make sure the enclosure is securely mounted to the wall, or in its final position on the floor before mounting any equipment inside. Additionally, make sure to make all necessary adjustments to the rails before mounting equipment inside. (See below for Adjusting Mounting Rail Depth.)

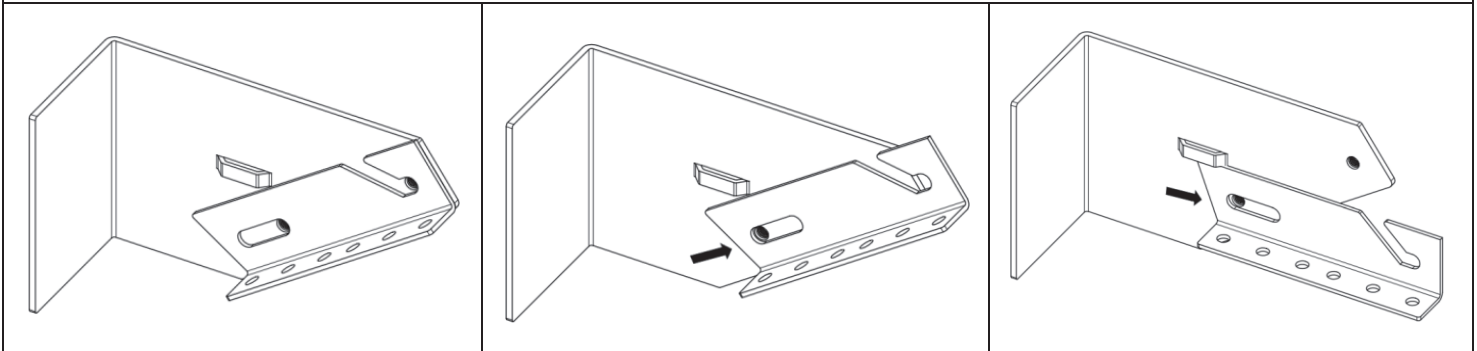
Adjusting Mounting Rail Depth



Do not adjust the mounting rails unless the equipment requires a different mounting depth.

The rails can be adjusted in 1-inch increments to decrease the mounting depth from the maximum mounting depth. The maximum adjustment is 3 inches.

Optional Patch Panel Installation



The unit comes with an integral, slide-out mounting bracket at the top of the enclosure. It can be used to secure a patch panel to the enclosure, and it partially slides out for easier cabling access. To install a patch panel on the patch panel mounting bracket, use the included mounting screws and washers to secure the equipment to the rack rail. Place the washers between the screws and the patch panel mounting bracket.