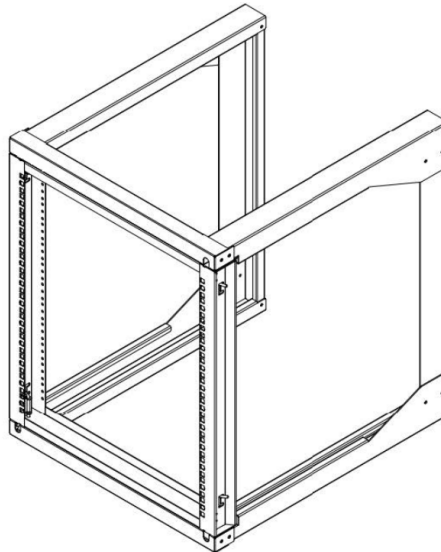


## OWNER'S MANUAL: Swing Gate Wall-Mount Rack

23" Wide 24" Depth (6U/9U)



24"

THIS MANUAL APPLIES TO THE FOLLOWING SKUs: SM23INWM6U, SM23INWM9U

Keep this information for further reference.

Thank you for purchasing an SMC product.

Please examine the product for any damaged parts. If any part is damaged or missing, contact SMC for assistance. Do not attempt to install or use product if it has been damaged. This product contains small items that could be a choking hazard – keep these items away from children.

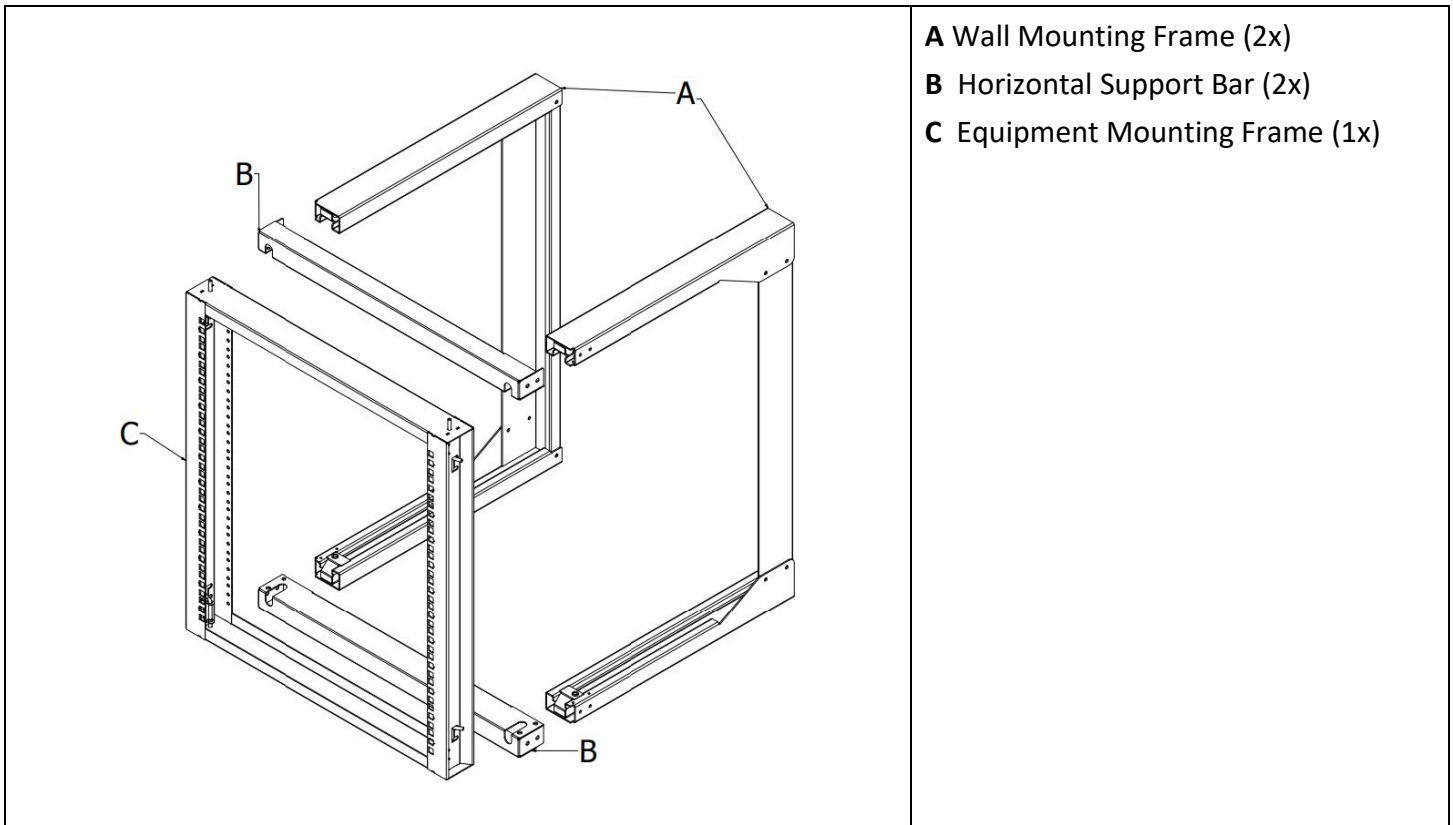
During installation, lay product contents on cardboard or other protective surface to avoid any damage.

Do not use with equipment that is heavier than the indicated weight capacity for this product. This product is designed to be installed indoors on wood stud walls, solid concrete walls or brick walls. Make sure that the supporting surface will safely support the weight of the equipment and all attached hardware and components. It is recommended that installation be performed by a qualified installer. SMC cannot be held responsible for damage to equipment or personal injury resulting from improper use or installation of product.

Maintenance: Check that the product is secure and safe to use at regular intervals (at least every three months).

Limitations of Liability: In no event will SMC, LLC. be liable for any damages, whether direct or indirect, special, punitive, incidental or consequential damages (including, but not limited to, lost profits or revenue, loss of use, lost business opportunities or loss of goodwill) or for the costs of procuring substitute products, arising out of or in connection with the use of the product, whether such liability arises from any claim based upon contract, warranty, tort (including negligence), product liability or otherwise, whether or not seller has been advised of the possibility of such loss or damage. In no event will seller's total cumulative liability, from all causes of action and all theories of liability, exceed the total amounts actually paid to seller by customer under the order that gives rise to any liability hereunder.

# 1. Parts Identification



- A** Wall Mounting Frame (2x)
- B** Horizontal Support Bar (2x)
- C** Equipment Mounting Frame (1x)

## Rack Installation Hardware

**D**



M5 Screws(8x)

**E**



M3 Screws(8x)

**F**



Bottom Metal Sleeves(2x)

**G**



Top Sleeves(2x)

## Equipment Mounting Hardware

**H**



M6 Mounting Screws (10x)

**I**



M6 Cage Nuts(10x)

**J**



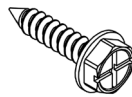
12-24 Mounting Screws(10x)

**K**



M6 Metal Washers  
 6U/9U (x4)

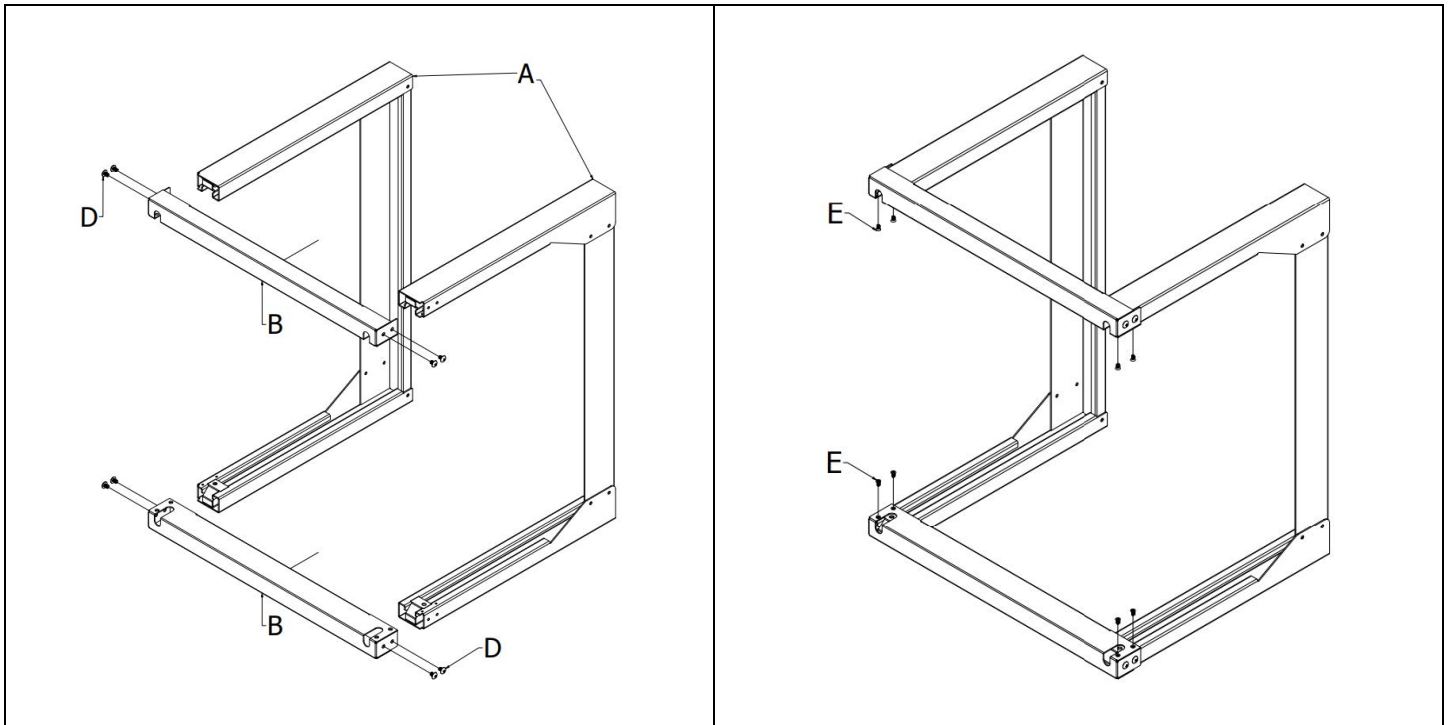
**L**



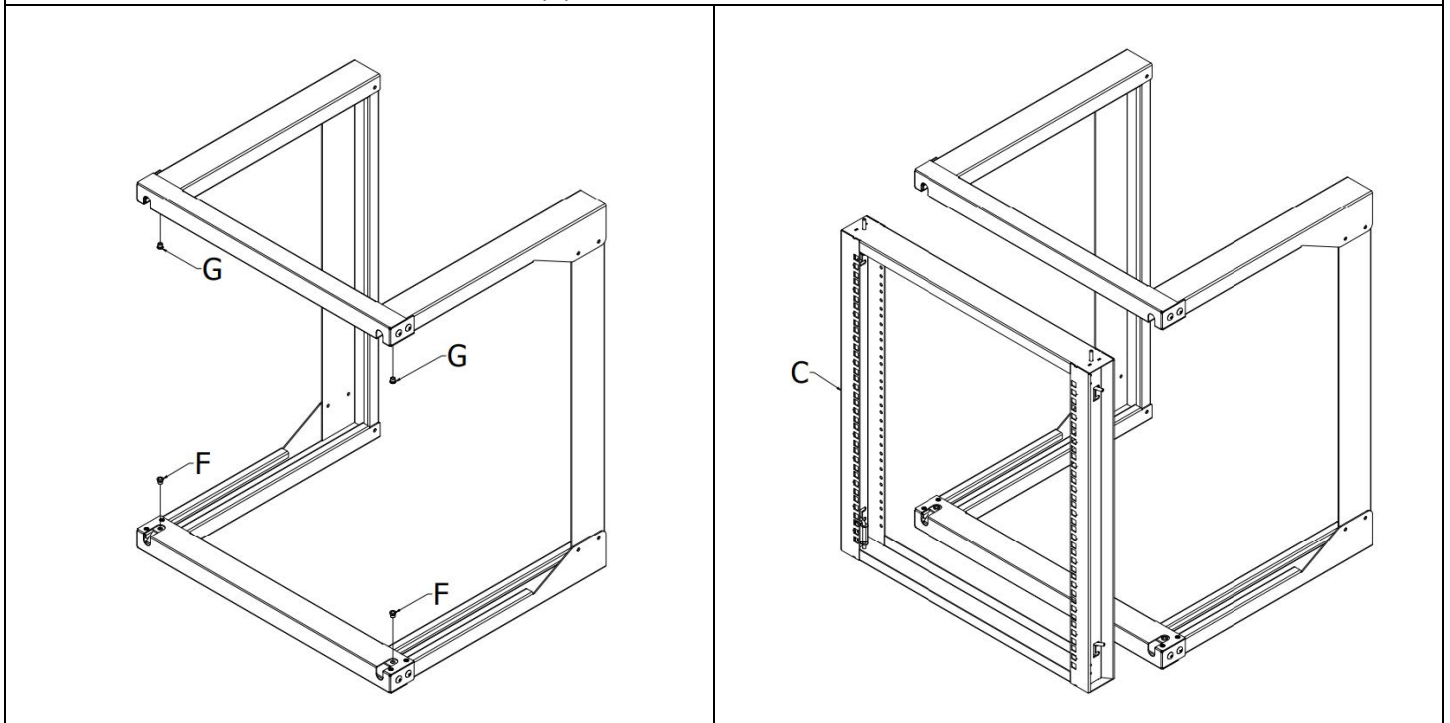
M6 Wall Mounting Screws  
 6U/9U (x4)

**Tools Required:** Phillips Screwdriver (not included)

## 2. Rack Assembly

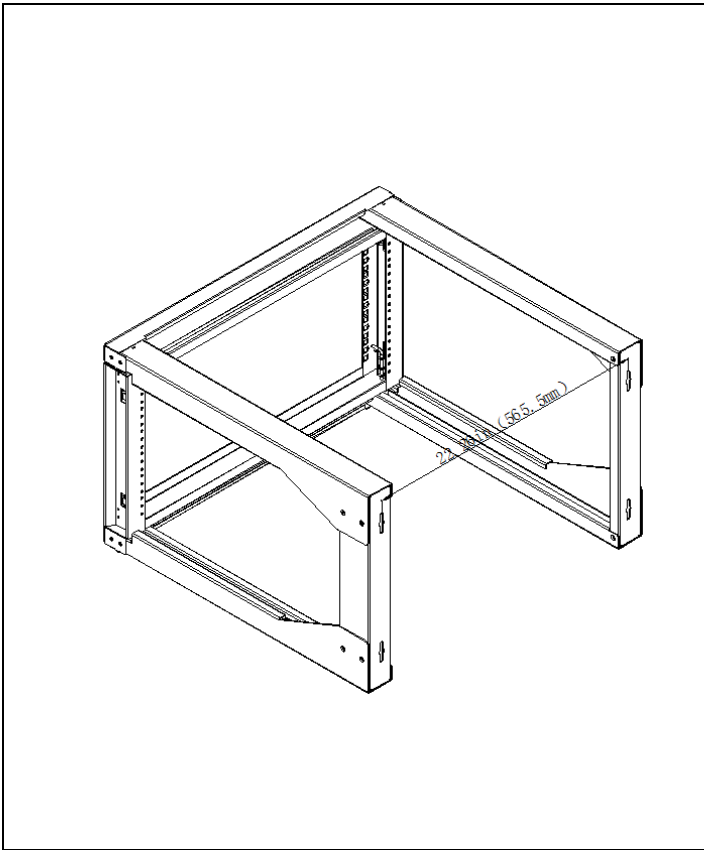


**STEP 1.** Attach the 2 Horizontal Support Bars (B) to the Wall Mounting Frames (A) using 8 M5 Screws (D).  
**STEP 2.** Secure them with 8 M4 Screws (E).



**STEP 3.** Insert 2 Bottom Metal Sleeves (F) into the holes on the Horizontal Support Bar (B) on the Bottom side. Insert 2 Sleeves (G) into the holes on the Horizontal Support Bar (B) on the Top side.  
**STEP 4.** Secure Equipment Mounting Frame (C) to the built frame, make sure the latch pins click into both top and bottom metal sleeves.

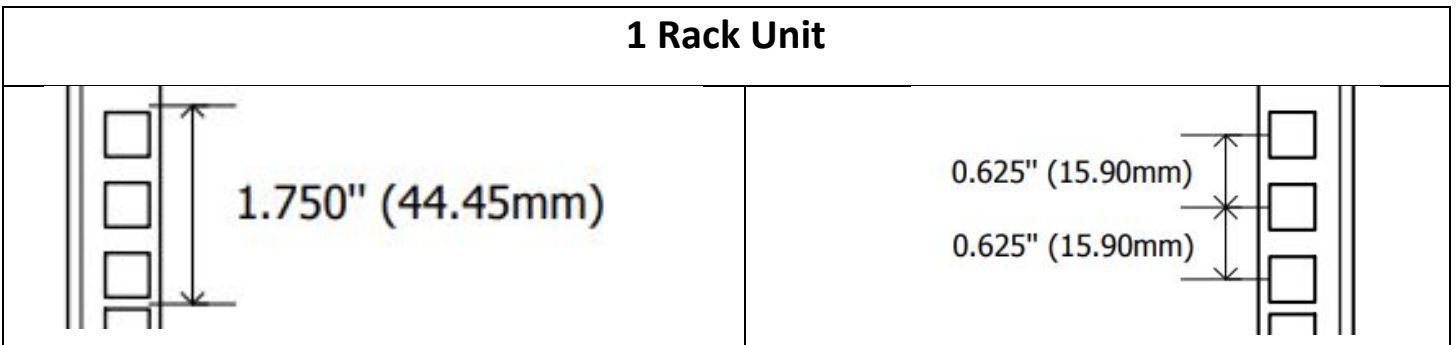
## 2. Mounting the Rack to the wall



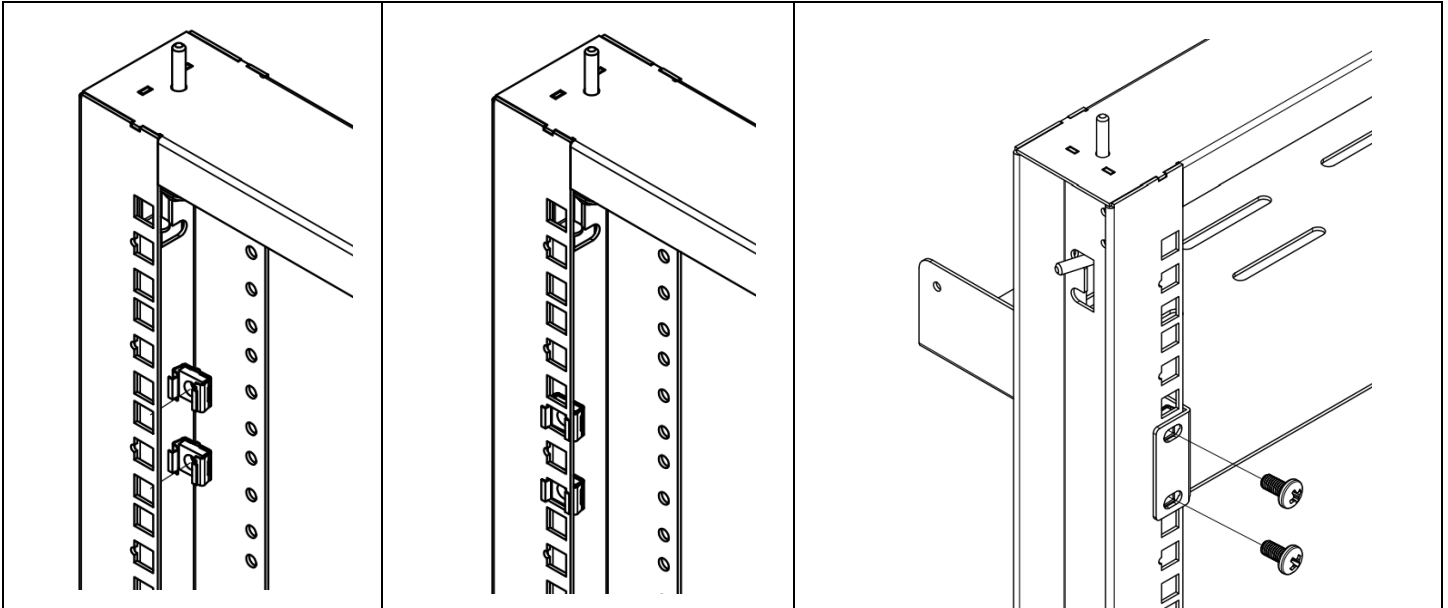
Attach the rack to a wall or other suitable mounting surface using M6 Wall Mounting Screws (L) and M6 Metal Washers (K). Mounting holes are spaced 22.26" (565.5mm) as reflected in the diagram.

**Warning: Do not attempt to mount to wall when equipment is mounted inside rack. The rack can hold up to 100 pounds evenly distributed (50 pounds when Equipment Mounting Frame is in an open position). Make sure wall surface can hold weight of the cabinet and equipment.**

## 3. Equipment Installation



## -Squared Hole Mounting



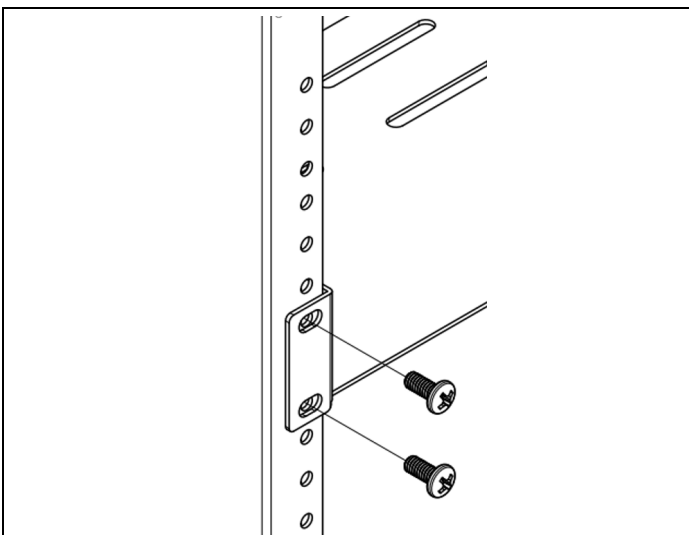
**1** Locate the numbered square openings in the Equipment Mounting Frame (C) where you plan to install your equipment. Install M6 Cage Nuts (I) into the square openings to provide an attachment point for the M6 Mounting Screws (H) . Note: Consult your equipment documentation to determine how many cage nuts will be required and where they will need to be installed.

**a-** From the inside of the Equipment Mounting Frame (C), insert one of the flanges of the cage nut through the square opening. Press it against the side of the square opening.

**b-** Compress the cage nut at the sides slightly to allow the remaining flange to fit through the square opening. When the cage nut is properly installed, both flanges will protrude through the square opening and will be visible on the outer surface of the mounting rail. Repeat steps 1a and 1b until all required cage nuts are installed.

**2** After installing the required cage nuts, use the included M6 Mounting Screws (H) to secure your equipment into the installed M6 Cage Nuts (I).

## -Tapped Hole Mounting



Use the included 12-24 Mounting Screws (J) to secure your equipment to the Equipment Mounting Frame (C).