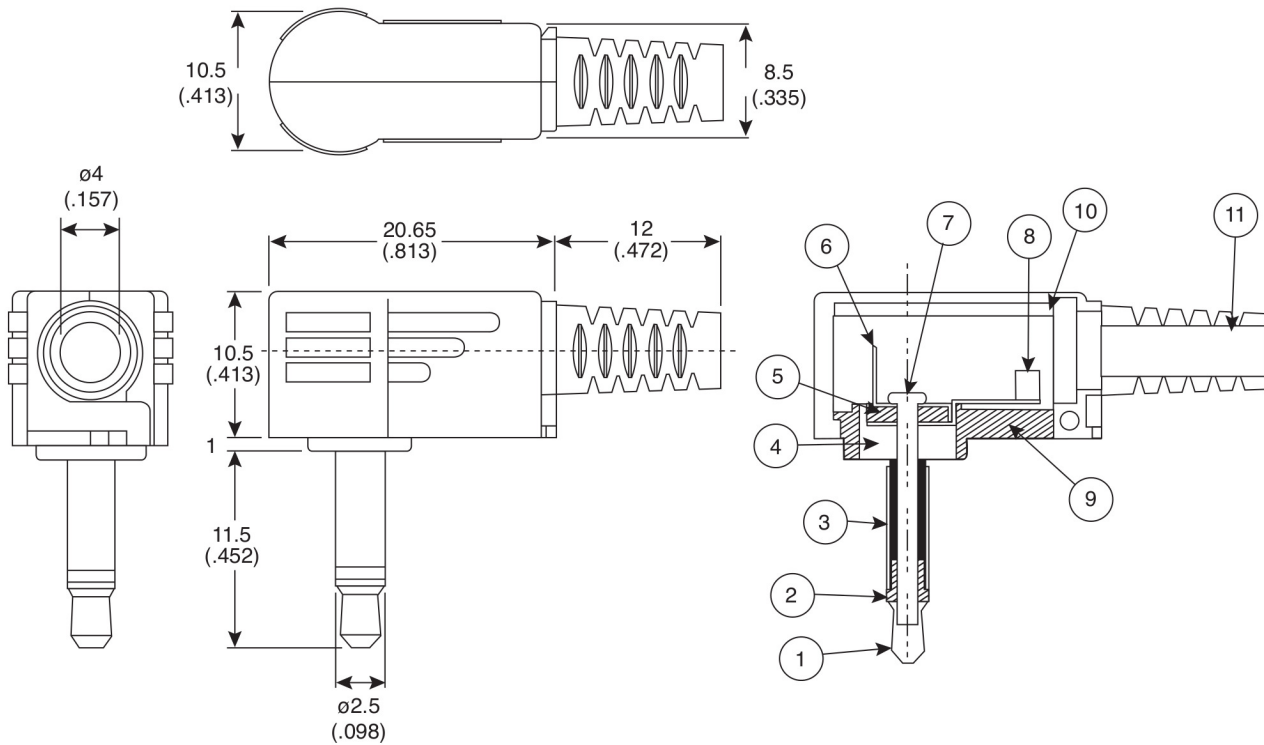


2.5mm Right Angle Mono Plug



Dimensions: mm (In)

SPECIFICATIONS
RoHS Compliant by Exemption

MATERIALS				
No.	Part Name	Qty.	Material	Finish
1	Tip	1	Brass	Ni
2	Insulator A	1	Ebonite	---
3	Insulator Tube	1	PVC	---
4	Sleeve	1	Brass	Ni
5	Insulator B	1	Phoenol	---
6	Center Terminal	1	Brass	Ni
7	Nail	1	Steel	Cu-Ni
8	Solder Terminal	1	Steel	Cu-Ni
9	Insulator C	1	PC	---
10	Housing	1	PP	---
11	Strain Relief	1	PVC	---