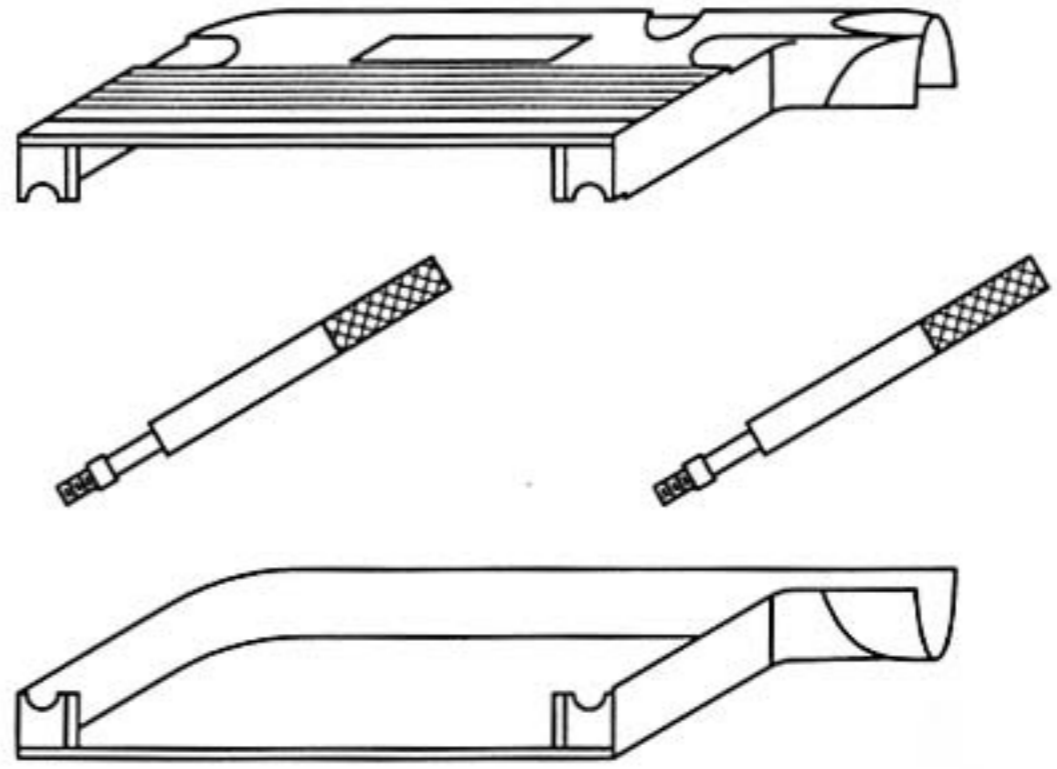
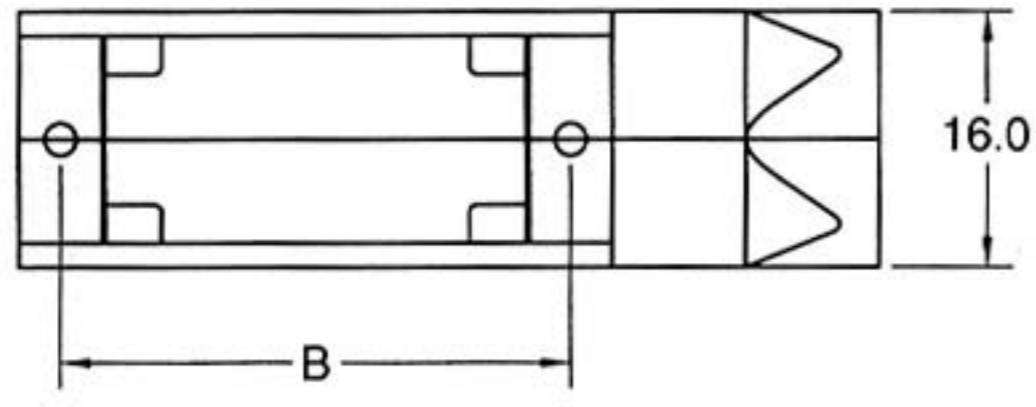
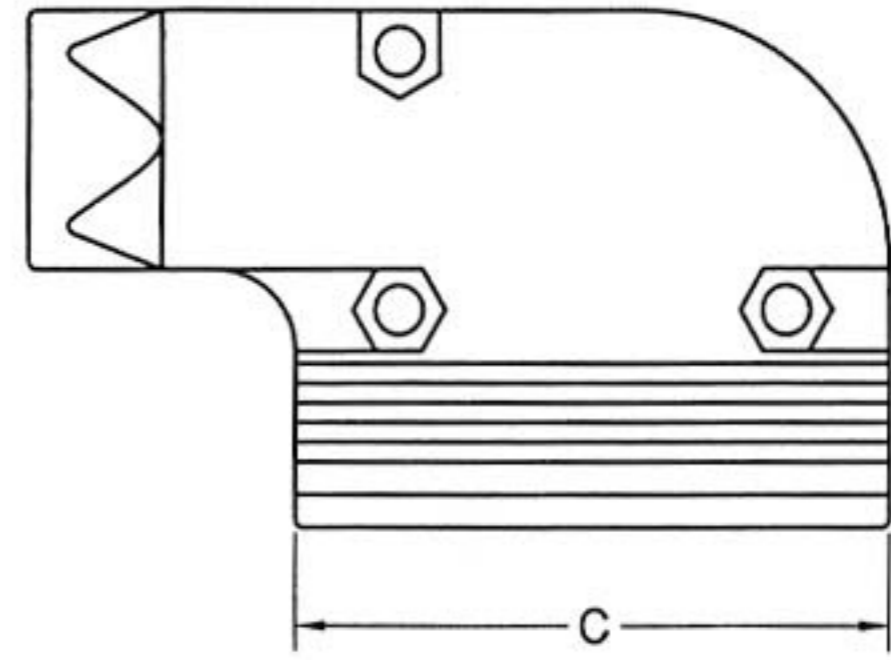
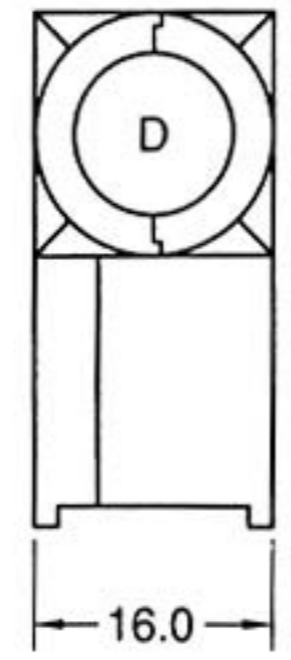
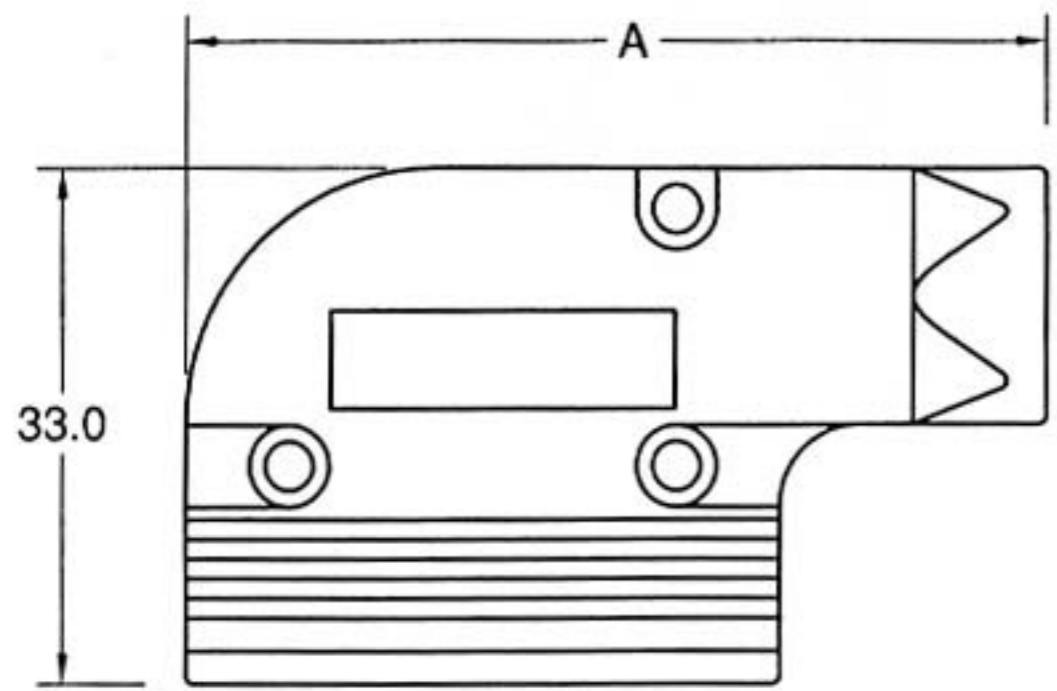



REVISIONS				
ZONE	REV	DESCRIPTION	DATE	APPROVED



SEE 001-30 FOR GROMMET
(XX) : DENOTES POSITIONS 9, 15, 25

DIMENSIONS				
POS.	A	B	C	D : for cable dia.
9	47.0	24.99	31.5	6, 7.5, 9, 11
15	59.0	33.32	40.0	6, 7.5, 9, 11
25	72.0	47.04	53.5	7.5, 9, 11, 13

BY	DATE	 Show Me <small>CABLES</small> <small>cables & connectors since 1995</small>	Title: DB25 & HD44 Right Angle Hood- Metal
DRAWN			
CHK'D			
APPRV			
MATERIAL	SEE NOTES	SKU:	1158
FINISH	SEE NOTES	SCALE:	NONE
		SHEET 1 OF 1	